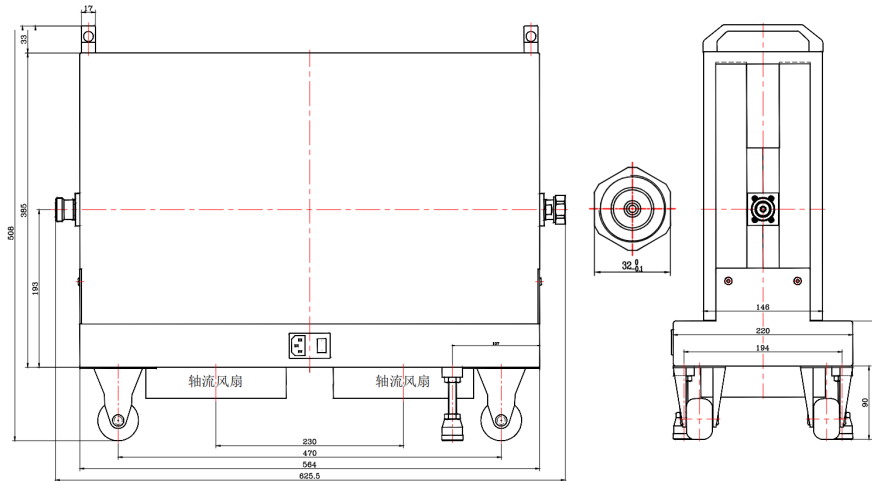


L29 Coaxial Fixed Attenuator, R6D1500UAW-XX DC-6GHz, 1500W, 30-50dB, Unidirectional, Rectangular

Dimensions(mm) Tolerance±1%



Electrical & Environmental

Frequency Range	DC-6GHz , 50Ohms
VSWR	1.35 Max
Input Avg Power	1500W @25°C
Peak Power	10kW (5μsec pulse width, 10% duty cycle)
Temp Coefficient	<0.0004 dB/dB/°C
Direction	Unidirectional, L29 male input to L29 female output
Attenuation	30-50dB
Operating Temp	-55°C~+125°C

Product Selection, Customizable

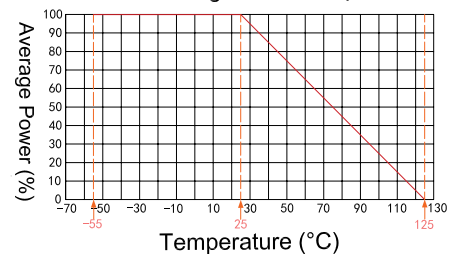
RFTOP P/N	ATTEN	Accuracy
R6D1500UAW-30	30 dB	±6.0 dB
R6D1500UAW-40	40 dB	+9.0/-6.0 dB
R6D1500UAW-50	50 dB	±6.0 dB

Notes: Pay attention to input/output. To ensure longevity and performance, do not use at full power for a long time. Peak power, pulse width, and duty cycle need to meet the requirements. Input high power, require heat dissipation, maintain temperature within 80°C. Reference Curve, derate linearly to 150W at 100°C.

Mechanical & Product Information

Product Number	R6D1500UAW-XX
Product Type	Coaxial Fixed Attenuator, P-Grade, Anti-pulse
Connector	L29 male, L29 female
Connector Body	Ternary alloy plated brass
Center Contact	Gold plated brass, Gold plated beryllium copper
Heat Sink	Black anodized aluminum

Power derating Versus temperature



1. Customized connectors, dimensions, directionality, PIM, dB values.
2. Refer to the RFTOP attenuator selection and usage guide.