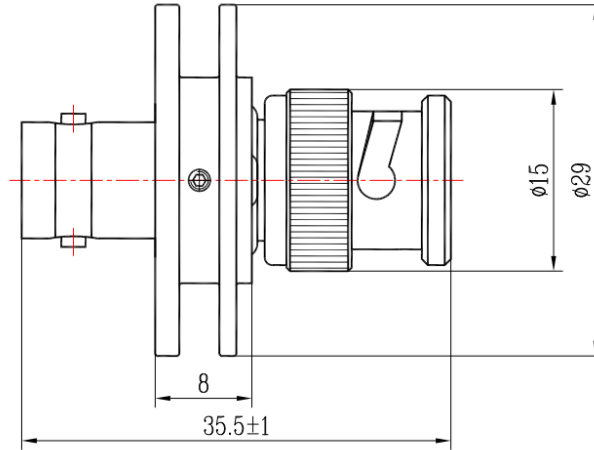


BNC Coaxial Fixed Attenuator, R6B5-XX DC-6GHz, 5W, 1-60dB, Bidirectional, Round

Dimensions(mm) Tolerance±1%



Electrical & Environmental

Frequency Range	DC-6GHz , 50Ohms
VSWR	1.25 Max
Input Avg Power	5W @25°C
Peak Power	200W (5μsec pulse width, 0.5% duty cycle)
Temp Coefficient	<0.0004 dB/dB/°C
Direction	Bidirectional, BNC male to BNC female
Attenuation	1-60dB
Operating Temp	-55°C~+125°C

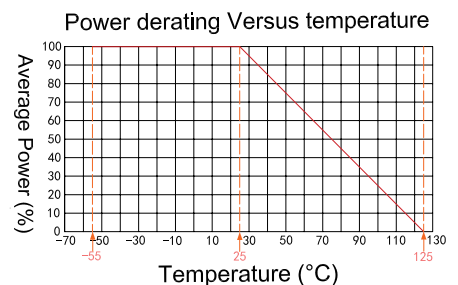
Product Selection, Customizable

RFTOP P/N	ATTEN	Accuracy
R6B5-3	3 dB	±0.5 dB
R6B5-6	6 dB	±0.5 dB
R6B5-10	10 dB	±0.5 dB
R6B5-20	20 dB	±0.6 dB
R6B5-30	30 dB	±0.8 dB
R6B5-40	40 dB	±0.9 dB
R6B5-50	50 dB	±1.0 dB
R6B5-60	60 dB	±1.1 dB

Mechanical & Product Information

Product Number	R6B5-XX
Product Type	Coaxial Fixed Attenuator, P-Grade
Connector	BNC male, BNC female
Connector Body	Ternary alloy plated brass
Center Contact	Gold plated brass, Gold plated beryllium copper
Heat Sink	N/A

Notes: Pay attention to input/output. To ensure longevity and performance, do not use at full power for a long time. Peak power, pulse width, and duty cycle need to meet the requirements. Input high power, require heat dissipation, maintain temperature within 80°C. Reference Curve, derate linearly to 0.5W at 100°C.



1. Customized connectors, dimensions, directionality, PIM, dB values.
2. Refer to the RFTOP attenuator selection and usage guide.