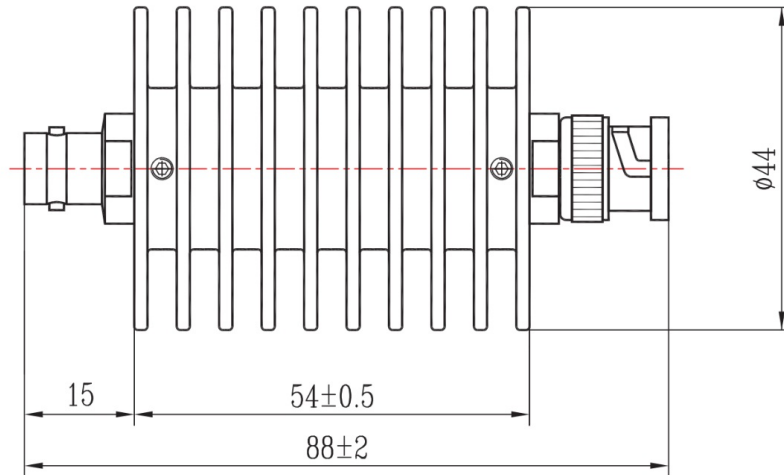


BNC Coaxial Fixed Attenuator, R6B25-XX DC-6GHz, 25W, 1-60dB, Unidirectional, Round

Dimensions(mm) Tolerance±1%



Electrical & Environmental

Frequency Range	DC-6GHz , 50Ohms
VSWR	1.25 Max
Input Avg Power	25W @25°C
Peak Power	500W (5μsec pulse width, 2.5% duty cycle)
Temp Coefficient	<0.0004 dB/dB/°C
Direction	Unidirectional, BNC male input to BNC female output
Attenuation	1-60dB
Operating Temp	-55°C~+125°C

Product Selection, Customizable

RFTOP P/N	ATTEN	Accuracy
R6B25-3	3 dB	±0.5 dB
R6B25-6	6 dB	±0.5 dB
R6B25-10	10 dB	±0.5 dB
R6B25-20	20 dB	±0.6 dB
R6B25-30	30 dB	±0.8 dB
R6B25-40	40 dB	±0.8 dB
R6B25-50	50 dB	±0.8 dB
R6B25-60	60 dB	±0.9 dB

Mechanical & Product Information

Product Number	R6B25-XX
Product Type	Coaxial Fixed Attenuator, P-Grade
Connector	BNC male, BNC female
Connector Body	Ternary alloy plated brass
Center Contact	Gold plated brass, Gold plated beryllium copper
Heat Sink	Black anodized aluminum
Net Weight	About 160.0g

1. Customized connectors, dimensions, directionality, PIM, dB values.
2. Refer to the RFTOP attenuator selection and usage guide.

Notes: Pay attention to input/output. To ensure longevity and performance, do not use at full power for a long time. Peak power, pulse width, and duty cycle need to meet the requirements. Input high power, require heat dissipation, maintain temperature within 60°C. Reference Curve, derate linearly to 3W at 100°C.

