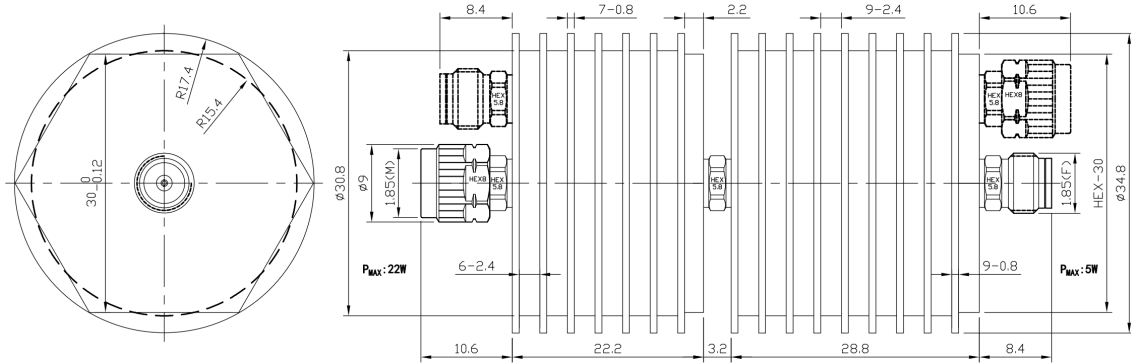


1.85mm Coaxial Fixed Attenuator, R6722U-XX DC-67GHz, 22W, 10-40dB, Unidirectional, Round

Dimensions(mm) Tolerance±1%



Electrical & Environmental

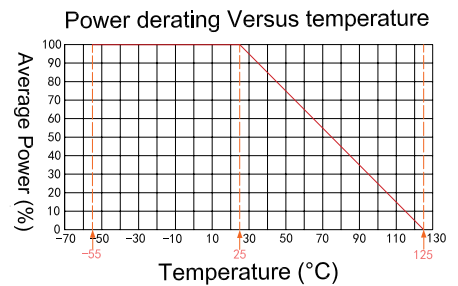
Frequency Range	DC-67GHz , 50Ohms
VSWR	1.65 Max
Input Avg Power	22W @25°C
Peak Power	50W (5μsec pulse width, 10% duty cycle)
Temp Coefficient	<0.0004 dB/dB/°C
Direction	Unidirectional, 1.85mm male input to 1.85mm female output
Attenuation	10-40dB
Operating Temp	-55°C~+100°C

Product Selection, Customizable		
RFTOP P/N	ATTEN	Accuracy
R6722U-10	10 dB	+3.2/-2.5 dB
R6722U-20	20 dB	+2.5/-2.0 dB
R6722U-30	30 dB	+2.2/-2.0 dB
R6722U-40	40 dB	+2.2/-2.0 dB

Notes: Pay attention to input/output. To ensure longevity and performance, do not use at full power for a long time. Peak power, pulse width, and duty cycle need to meet the requirements. Input high power, require heat dissipation, maintain temperature within 80°C. Reference Curve, derate linearly to 2W at 100°C.

Mechanical & Product Information

Product Number	R6722U-XX
Product Type	Coaxial Fixed Attenuator, JP-Grade
Connector	1.85mm male, 1.85mm female
Connector Body	Passivated stainless steel
Center Contact	1.27um Gold plated beryllium copper
Heat Sink	Black anodized aluminum
Net Weight	About 115.0g



1. Customized connectors, dimensions, directionality, PIM, dB values.

2. Refer to the RFTOP attenuator selection and usage guide.