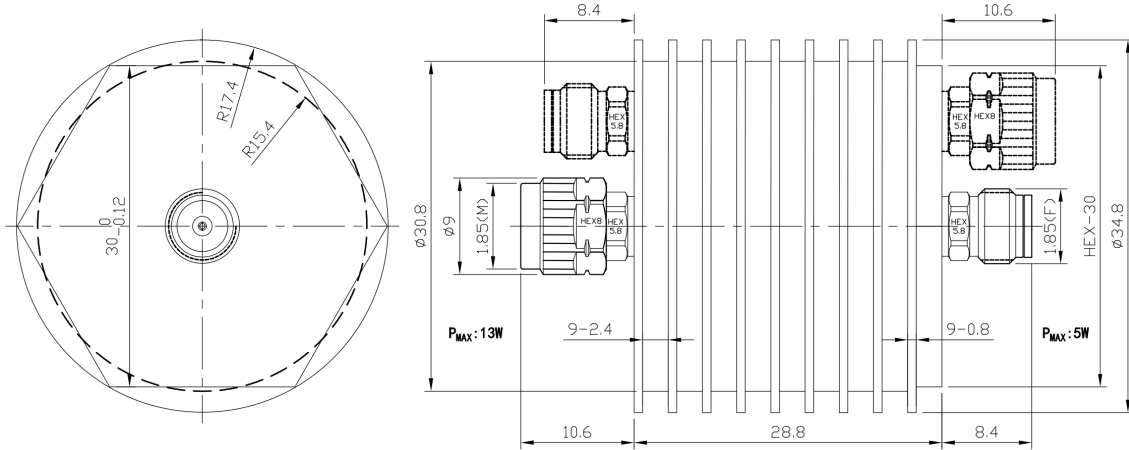


## 1.85mm Coaxial Fixed Attenuator, R6713U-XX DC-67GHz, 13W, 10-40dB, Unidirectional, Round

### Dimensions(mm) Tolerance±1%



### Electrical & Environmental

<b>Frequency Range</b>	DC-67GHz , 50Ohms
<b>VSWR</b>	1.58 Max
<b>Input Avg Power</b>	13W @25°C
<b>Peak Power</b>	50W (5μsec pulse width, 8% duty cycle)
<b>Temp Coefficient</b>	<0.0004 dB/dB/°C
<b>Direction</b>	Unidirectional, 1.85mm male input to 1.85mm female output
<b>Attenuation</b>	10-40dB
<b>Operating Temp</b>	-55°C~+100°C

### Product Selection, Customizable

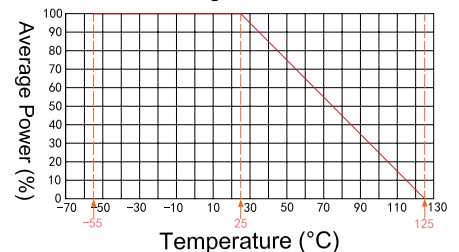
RFTOP P/N	ATTEN	Accuracy
R6713U-10	10 dB	+2.2/-2.0 dB
R6713U-20	20 dB	+1.5/-1.2 dB
R6713U-30	30 dB	+1.5/-1.2 dB
R6713U-40	40 dB	+1.5/-1.2 dB

**Notes:** Pay attention to input/output. To ensure longevity and performance, do not use at full power for a long time. Peak power, pulse width, and duty cycle need to meet the requirements. Input high power, require heat dissipation, maintain temperature within 80°C. Reference Curve, derate linearly to 1W at 100°C.

### Mechanical & Product Information

<b>Product Number</b>	R6713U-XX
<b>Product Type</b>	Coaxial Fixed Attenuator, JP-Grade
<b>Connector</b>	1.85mm male, 1.85mm female
<b>Connector Body</b>	Passivated stainless steel
<b>Center Contact</b>	1.27um Gold plated beryllium copper
<b>Heat Sink</b>	Black anodized aluminum
<b>Net Weight</b>	About 68.0g

Power derating Versus temperature



1. Customized connectors, dimensions, directionality, PIM, dB values.
2. Refer to the RFTOP attenuator selection and usage guide.