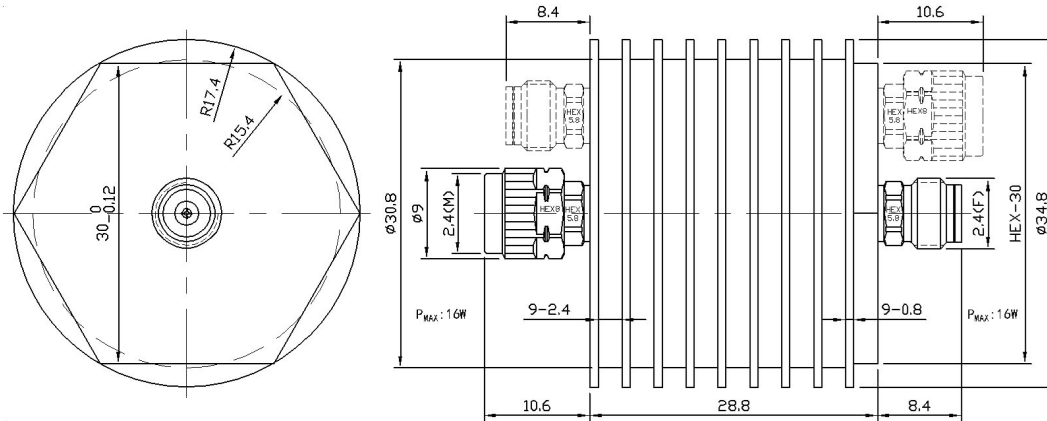


## 2.4mm Coaxial Fixed Attenuator, R5015-XX DC-50GHz, 15W, 10-40dB, Bidirectional, Round

Dimensions(mm) Tolerance $\pm 1\%$



Typical Value
RFTOP P/N
R5015-6
R5015-10
R5015-20
R5015-30
R5015-40

### Electrical & Environmental

<b>Frequency Range</b>	DC-50GHz	<b>Impedance</b>	50 ohm	<b>VSWR</b>	1.34 max
<b>Input Avg Power</b>	15W @25°C	<b>Peak Power</b>	100W (5 $\mu$ sec pulse width, 6% duty cycle)		
<b>Temp Coefficient</b>	<0.0004 dB/dB/°C	<b>Attenuation</b>	10-40dB, Customizable		
<b>Direction</b>	Bidirectional, 2.4mm male to 2.4mm female				

### Mechanical & Product Information

<b>Product Number</b>	R5015-XX, Military	<b>Connector</b>	2.4mm
<b>Connector Body</b>	Passivated stainless steel	<b>Heat Sink</b>	Black anodized aluminum
<b>Center Contact</b>	1.27 $\mu$ m Gold plated beryllium copper		
<b>Operating Temp</b>	-55°C~+100°C	<b>Net Weight</b>	About 68.0g

### Attenuation&Accuracy(DC-50GHz)

<b>Attenuation(dB)</b>	10	20	30	40
<b>Accuracy(dB)</b>	-2.0/+2.2	-1.2/+1.5	-1.2/+1.2	-1.2/+1.5

### Notes

1. To maintain best performance, recommended to use fan to keep the case temp under 85°C.
2. Refer to the derating curve for power input, derate linearly to 2 W at 100°C.
3. Customized dB values, outlines and optimal accuracy & VSWR available.

