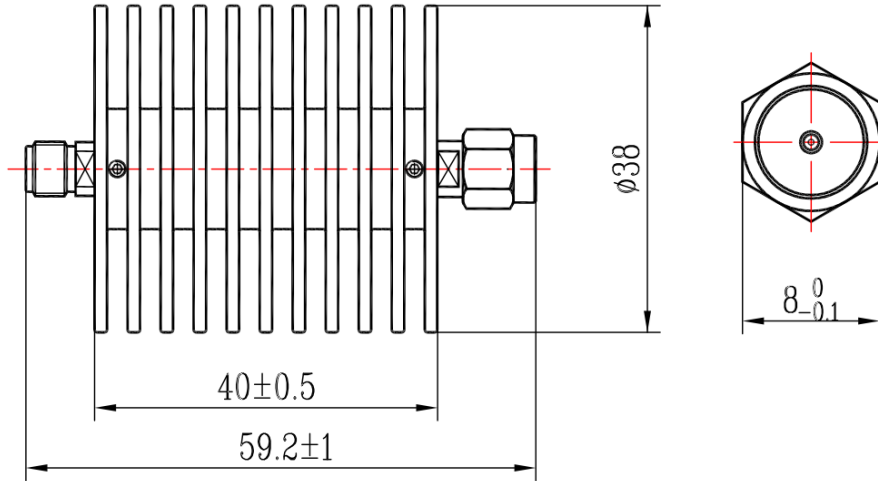




SMA Coaxial Fixed Attenuator, R4S30U-XX
DC-4GHz, 30W, 1-60dB, Unidirectional, Round

Dimensions(mm) Tolerance±1%



Electrical & Environmental

Frequency Range	DC-4GHz , 50Ohms
VSWR	1.15 Max
Input Avg Power	30W @25°C
Peak Power	500W (5µsec pulse width, 3% duty cycle)
Temp Coefficient	<0.0004 dB/dB/°C
Direction	Unidirectional, SMA male input to SMA female output
Attenuation	1-60dB
Operating Temp	-55°C~+125°C

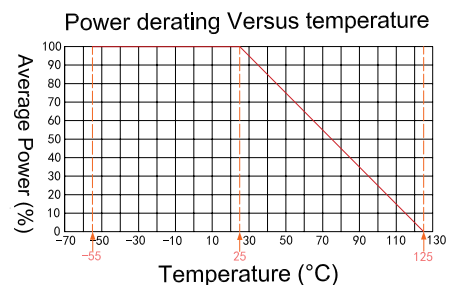
Product Selection, Customizable		
RFTOP P/N	ATTEN	Accuracy
R4S30U-3	3 dB	±0.4 dB
R4S30U-6	6 dB	±0.4 dB
R4S30U-10	10 dB	±0.4 dB
R4S30U-20	20 dB	±0.5 dB
R4S30U-30	30 dB	±0.6 dB
R4S30U-40	40 dB	±0.7 dB
R4S30U-50	50 dB	±0.8 dB
R4S30U-60	60 dB	±0.9 dB

Mechanical & Product Information

Product Number	R4S30U-XX
Product Type	Coaxial Fixed Attenuator, P-Grade
Connector	SMA male, SMA female
Connector Body	Passivated stainless steel
Center Contact	Gold plated brass, Gold plated beryllium copper
Heat Sink	Black anodized aluminum

Notes: Pay attention to input/output. To ensure longevity and performance, do not use at full power for a long time. Peak power, pulse width, and duty cycle need to meet the requirements. Input high power, require heat dissipation, maintain temperature within 60°C. Reference Curve, derate linearly to 3W at 100°C.

1. Customized connectors, dimensions, directionality, PIM, dB values.
2. Refer to the RFTOP attenuator selection and usage guide.





SMA Coaxial Fixed Attenuator, **R4S30U-XX**
DC-4GHz, 30W, 1-60dB, Unidirectional, Round

Typical Test Data

