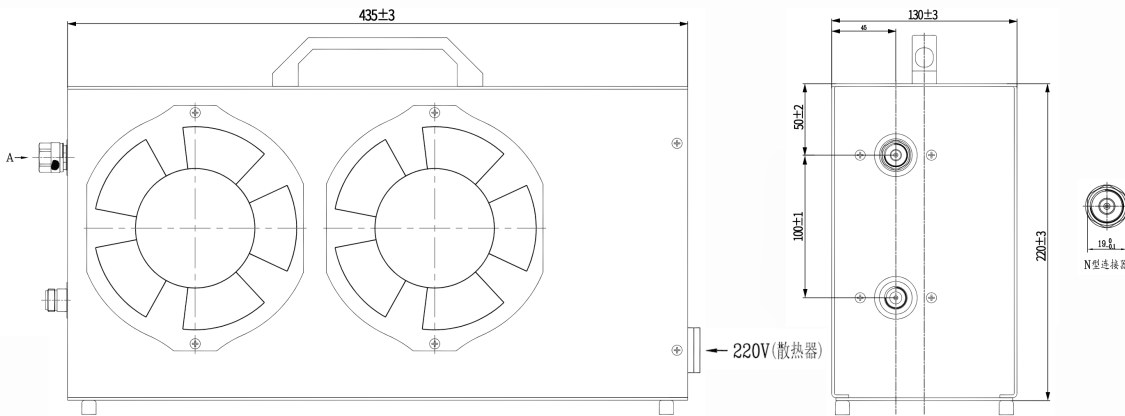


N Coaxial Fixed Attenuator, R4N600UA-XX DC-4GHz, 600W, 10-60dB, Unidirectional, Rectangular

Dimensions(mm) Tolerance±1%



| Typical Value |
|------------------|
| RFTOP P/N |
| R4N600UA-10 |
| R4N600UA-20 |
| R4N600UA-30 |
| R4N600UA-40 |
| R4N600UA-50 |
| R4N600UA-60 |

Electrical & Environmental

| | | | | | |
|-------------------------|--|--------------------|--|-------------|----------|
| Frequency Range | DC-4GHz | Impedance | 50 ohm | VSWR | 1.25 max |
| Input Avg Power | 600W @25°C | Peak Power | 1kW (5µsec pulse width, 5% duty cycle) | | |
| Temp Coefficient | <0.0004 dB/dB/°C | Attenuation | 10-60dB, Customizable | | |
| Direction | Unidirectional,N male input to N female output | | | | |

Mechanical & Product Information

| | | | |
|-----------------------|---|-------------------|-------------------------|
| Product Number | R4N600UA-XX, Professional | Connector | N |
| Connector Body | Ternary alloy plated brass | Heat Sink | Black anodized aluminum |
| Center Contact | Gold plated brass, Gold plated beryllium copper | | |
| Operating Temp | -55°C~+125°C | Net Weight | - |

Attenuation&Accuracy(DC-4GHz)

| | | | | | |
|------------------------|-----------|------|------|------|-------|
| Attenuation(dB) | 10 | 20 | 30 | 40 | 50/60 |
| Accuracy(dB) | -0.6/+1.5 | ±1.2 | ±1.0 | ±1.0 | ±1.0 |

Notes

1. To maintain best performance, recommended to use fan to keep the case temp under 85°C.
2. Refer to the derating curve for power input,derate linearly to 60 W at 100°C.
3. Always pay attention to the direction of attenuators and note IN/OUT markings.
4. Customized dB values,outlines and optimal accuracy & VSWR available.

