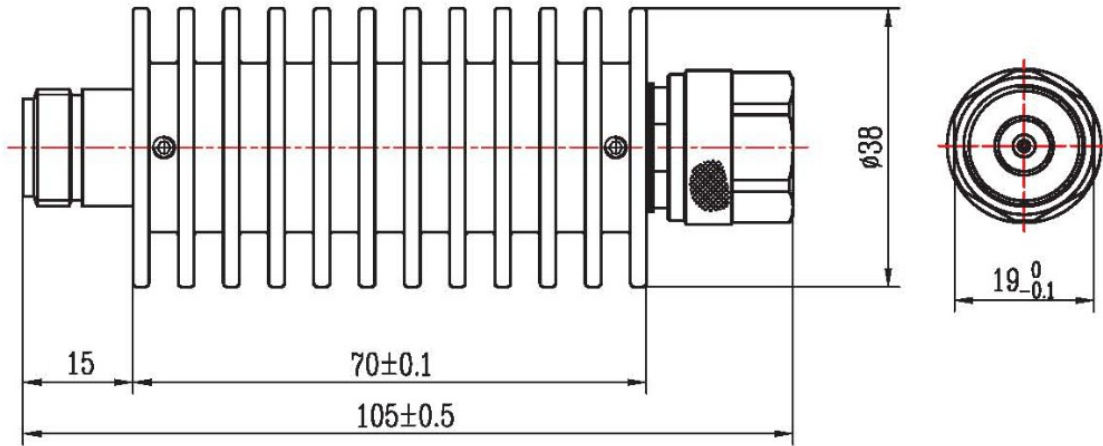




N Coaxial Fixed Attenuator, R4N30U-XX
DC-4GHz, 30W, 1-50dB, Unidirectional, Round

Dimensions(mm) Tolerance±1%



Electrical & Environmental

Frequency Range	DC-4GHz , 50Ohms
VSWR	1.2 Max
Input Avg Power	30W @25°C
Peak Power	800W (5µsec pulse width, 1.8% duty cycle)
Temp Coefficient	<0.0004 dB/dB/°C
Direction	Unidirectional, N male input to N female output
Attenuation	1-50dB
Operating Temp	-55°C~+125°C

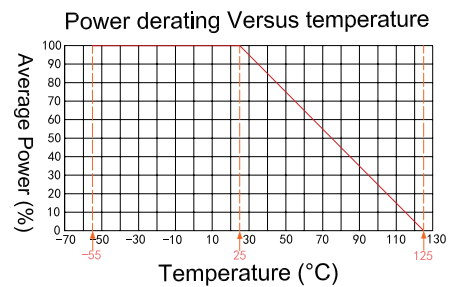
Product Selection, Customizable

RFTOP P/N	ATTEN	Accuracy
R4N30U-3	3 dB	±0.4 dB
R4N30U-6	6 dB	±0.4 dB
R4N30U-10	10 dB	±0.4 dB
R4N30U-20	20 dB	±0.5 dB
R4N30U-30	30 dB	±0.6 dB
R4N30U-40	40 dB	±0.7 dB
R4N30U-50	50 dB	±0.7 dB

Mechanical & Product Information

Product Number	R4N30U-XX
Product Type	Coaxial Fixed Attenuator, P-Grade
Connector	N male, N female
Connector Body	Ternary alloy plated brass
Center Contact	Gold plated brass, Gold plated beryllium copper
Heat Sink	Black anodized aluminum
Net Weight	About 170.0g

Notes: Pay attention to input/output. To ensure longevity and performance, do not use at full power for a long time. Peak power, pulse width, and duty cycle need to meet the requirements. Input high power, require heat dissipation, maintain temperature within 80°C. Reference Curve, derate linearly to 3W at 100°C.



1. Customized connectors, dimensions, directionality, PIM, dB values.
2. Refer to the RFTOP attenuator selection and usage guide.



N Coaxial Fixed Attenuator, R4N30U-XX DC-4GHz, 30W, 1-50dB, Unidirectional, Round

Typical Test Data

