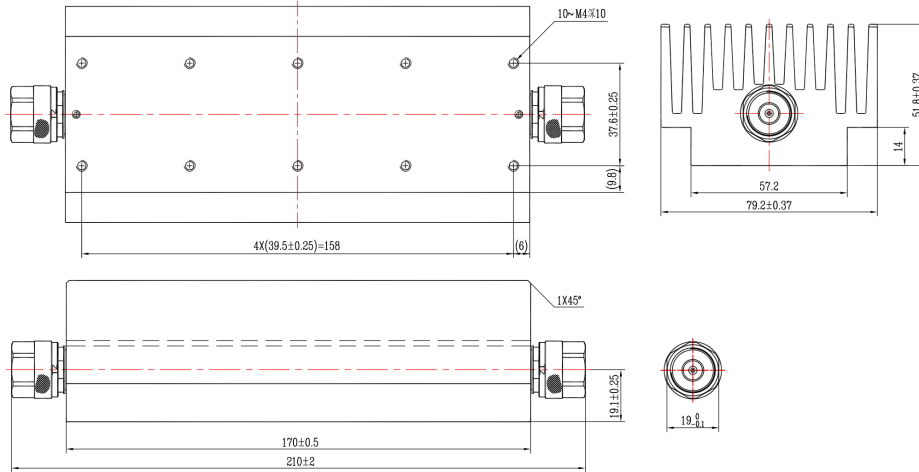


N Coaxial Fixed Attenuator, R4N250MMUB-XX DC-4GHz, 250W, 5-60dB, Unidirectional, Rectangular

Dimensions(mm) Tolerance±1%



Electrical & Environmental

Frequency Range	DC-4GHz , 50Ohms
VSWR	1.2 Max
Input Avg Power	250W @25°C
Peak Power	1kW (5μsec pulse width, 10% duty cycle)
Temp Coefficient	<0.0004 dB/dB/°C
Direction	Unidirectional, N male input to N male output
Attenuation	5-60dB
Operating Temp	-55°C~+125°C

Product Selection, Customizable

RFTOP P/N	ATTEN	Accuracy
R4N250MMUB-5	5 dB	±0.7 dB
R4N250MMUB-10	10 dB	±0.7 dB
R4N250MMUB-20	20 dB	±0.7 dB
R4N250MMUB-30	30 dB	±0.8 dB
R4N250MMUB-40	40 dB	±0.9 dB
R4N250MMUB-50	50 dB	±0.9 dB
R4N250MMUB-60	60 dB	±0.9 dB

Mechanical & Product Information

Product Number	R4N250MMUB-XX
Product Type	Coaxial Fixed Attenuator, P-Grade, Miniature Size
Connector	N male, N male
Connector Body	Ternary alloy plated brass
Center Contact	Gold plated brass
Heat Sink	Black anodized aluminum
Net Weight	About 2.0kg

1. Customized connectors, dimensions, directionality, PIM, dB values.
2. Refer to the RFTOP attenuator selection and usage guide.

Notes: Pay attention to input/output. To ensure longevity and performance, do not use at full power for a long time. Peak power, pulse width, and duty cycle need to meet the requirements. Input high power, require heat dissipation, maintain temperature within 80°C. Reference Curve, derate linearly to 25W at 100°C.

