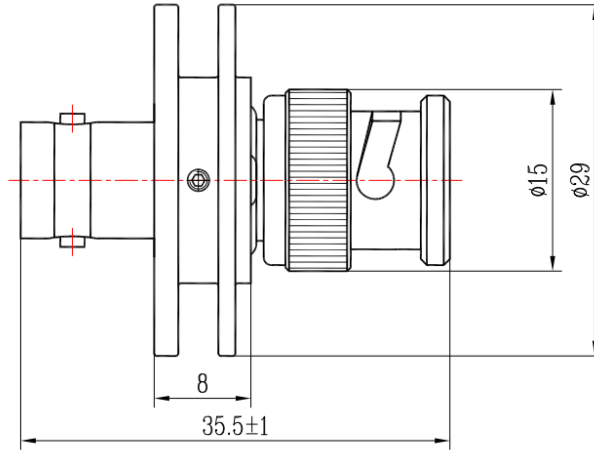


## BNC Coaxial Fixed Attenuator, R4B5-XX DC-4GHz, 5W, 1-60dB, Bidirectional, Round

### Dimensions(mm) Tolerance $\pm 1\%$



### Electrical & Environmental

<b>Frequency Range</b>	DC-4GHz , 50Ohms
<b>VSWR</b>	1.2 Max
<b>Input Avg Power</b>	5W @25°C
<b>Peak Power</b>	200W (5μsec pulse width, 0.5% duty cycle)
<b>Temp Coefficient</b>	<0.0004 dB/dB/°C
<b>Direction</b>	Bidirectional, BNC male to BNC female
<b>Attenuation</b>	1-60dB
<b>Operating Temp</b>	-55°C~+125°C

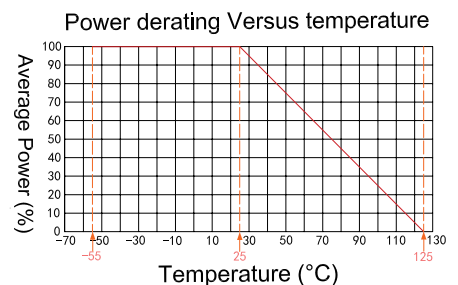
### Product Selection, Customizable

RFTOP P/N	ATTEN	Accuracy
R4B5-3	3 dB	$\pm 0.4$ dB
R4B5-6	6 dB	$\pm 0.4$ dB
R4B5-10	10 dB	$\pm 0.4$ dB
R4B5-20	20 dB	$\pm 0.5$ dB
R4B5-30	30 dB	$\pm 0.7$ dB
R4B5-40	40 dB	$\pm 0.8$ dB
R4B5-50	50 dB	$\pm 0.9$ dB
R4B5-60	60 dB	$\pm 1.0$ dB

### Mechanical & Product Information

<b>Product Number</b>	R4B5-XX
<b>Product Type</b>	Coaxial Fixed Attenuator, P-Grade
<b>Connector</b>	BNC male, BNC female
<b>Connector Body</b>	Ternary alloy plated brass
<b>Center Contact</b>	Gold plated brass, Gold plated beryllium copper
<b>Heat Sink</b>	N/A

**Notes:** Pay attention to input/output. To ensure longevity and performance, do not use at full power for a long time. Peak power, pulse width, and duty cycle need to meet the requirements. Input high power, require heat dissipation, maintain temperature within 80°C. Reference Curve, derate linearly to 0.5W at 100°C.



1. Customized connectors, dimensions, directionality, PIM, dB values.
2. Refer to the RFTOP attenuator selection and usage guide.