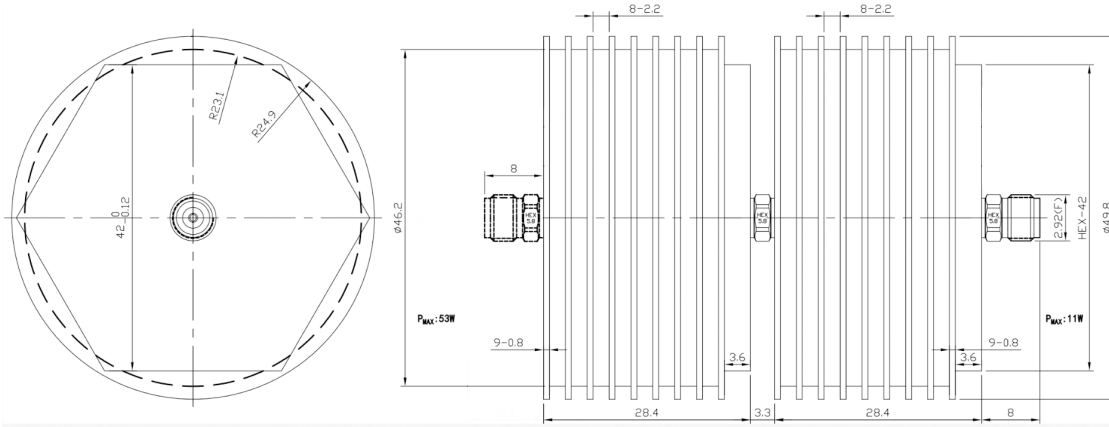




2.92mm Coaxial Fixed Attenuator, R4050FFU-XX DC-40GHz, 50W, 10-40dB, Unidirectional, Round

Dimensions(mm) Tolerance±1%



Typical Value
RFTOP P/N
R4050FFU-10
R4050FFU-20
R4050FFU-30
R4050FFU-40

Electrical & Environmental

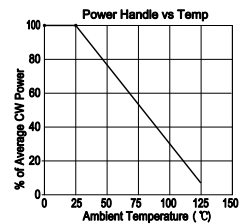
Frequency Range	DC-40GHz	Impedance	50 ohm	VSWR	1.38 max
Input Avg Power	50W @25°C	Peak Power	200W (5 μ sec pulse width, 10% duty cycle)		
Temp Coefficient	<0.0004 dB/dB/°C	Attenuation	10-40dB, Customizable		
Direction	Unidirectional, 2.92mm female input to 2.92mm female output				

Mechanical & Product Information

Product Number	R4050FFU-XX, JP-Grade	Connector	2.92mm
Connector Body	Passivated stainless steel	Heat Sink	Black anodized aluminum
Center Contact	1.27 μ m Gold plated beryllium copper		
Operating Temp	-55°C~+100°C	Net Weight	About 280.0g

Notes

1. To maintain best performance, recommended to use fan to keep the case temp under 85°C.
2. Refer to the derating curve for power input, derate linearly to 5 W at 100°C.
3. Always pay attention to the direction of attenuators and note IN/OUT markings.
4. Customized dB values, outlines and optimal accuracy & VSWR available.





2.92mm Coaxial Fixed Attenuator, R4050FFU-XX
DC-40GHz, 50W, 10-40dB, Unidirectional, Round

Typical Test Data

20dB
□