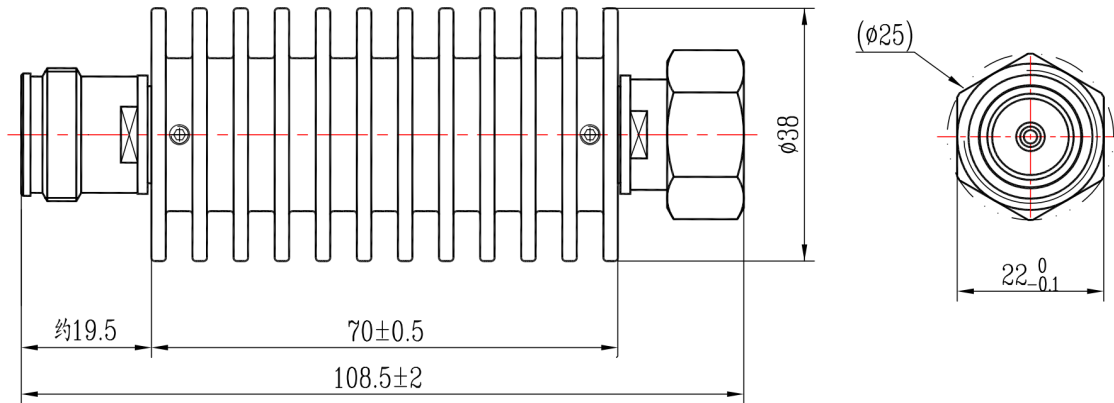


### 4.3-10 Coaxial Fixed Attenuator, R3P25-XX DC-3GHz, 25W, 1-60dB, Unidirectional, Round

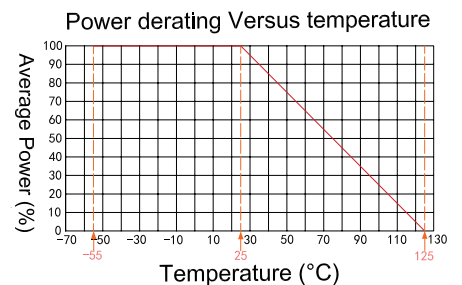
#### Dimensions(mm) Tolerance±1%



#### Electrical & Environmental

<b>Frequency Range</b>	DC-3GHz , 50Ohms
<b>VSWR</b>	1.2 Max
<b>Input Avg Power</b>	25W @25°C
<b>Peak Power</b>	500W (5μsec pulse width, 1.5% duty cycle)
<b>Temp Coefficient</b>	<0.0004 dB/dB/°C
<b>Direction</b>	Unidirectional, 4.3-10 male input to 4.3-10 female output
<b>Attenuation</b>	1-60dB
<b>Operating Temp</b>	-55°C~+125°C

**Notes:** Pay attention to input/output. To ensure longevity and performance, do not use at full power for a long time. Peak power, pulse width, and duty cycle need to meet the requirements. Input high power, require heat dissipation, maintain temperature within 60°C. Reference Curve, derate linearly to 3W at 100°C.



#### Mechanical & Product Information

<b>Product Number</b>	R3P25-XX
<b>Product Type</b>	Coaxial Fixed Attenuator, P-Grade
<b>Connector</b>	4.3-10 male, 4.3-10 female
<b>Connector Body</b>	Ternary alloy plated brass
<b>Center Contact</b>	Gold plated brass, Gold plated beryllium copper
<b>Heat Sink</b>	Black anodized aluminum

1. Customized connectors, dimensions, directionality, PIM, dB values.
2. Refer to the RFTOP attenuator selection and usage guide.