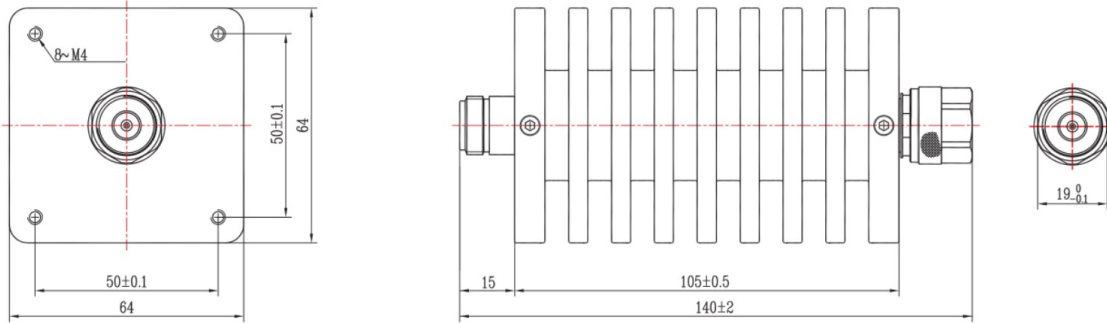


## N Coaxial Fixed Attenuator, R3N75A-XX DC-3GHz, 75W, 6-60dB, Bidirectional, Rectangular

### Dimensions(mm) Tolerance±1%



### Electrical & Environmental

<b>Frequency Range</b>	DC-3GHz , 50Ohms
<b>VSWR</b>	1.2 Max
<b>Input Avg Power</b>	75W @25°C
<b>Peak Power</b>	1kW (5μsec pulse width, 2% duty cycle)
<b>Temp Coefficient</b>	<0.0004 dB/dB/°C
<b>Direction</b>	Bidirectional, N male to N female
<b>Attenuation</b>	6-60dB
<b>Operating Temp</b>	-55°C~+100°C

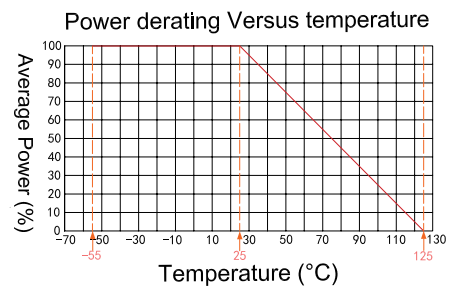
### Product Selection, Customizable

RFTOP P/N	Values	Accuracy
R3N75A-6	6dB	±0.7dB
R3N75A-10	10dB	±0.7dB
R3N75A-20	20dB	±0.7dB
R3N75A-30	30dB	±0.8dB
R3N75A-40	40dB	±0.9dB
R3N75A-50	50dB	±0.9dB
R3N75A-60	60dB	±0.9dB

### Mechanical & Product Information

<b>Product Number</b>	R3N75A-XX
<b>Product Type</b>	Coaxial Fixed Attenuator, P-Grade
<b>Connector</b>	N male, N female
<b>Connector Body</b>	Ternary alloy plated brass
<b>Center Contact</b>	Gold plated brass, Gold plated beryllium copper
<b>Heat Sink</b>	Black anodized aluminum
<b>Net Weight</b>	About 700.0g

**Notes:** Pay attention to input/output. To ensure longevity and performance, do not use at full power for a long time. Peak power, pulse width, and duty cycle need to meet the requirements. Input high power, require heat dissipation, maintain temperature within 80°C. Reference Curve, derate linearly to 8W at 100°C.



1. Customized connectors, dimensions, directionality, PIM, dB values.

2. Refer to the RFTOP attenuator selection and usage guide.