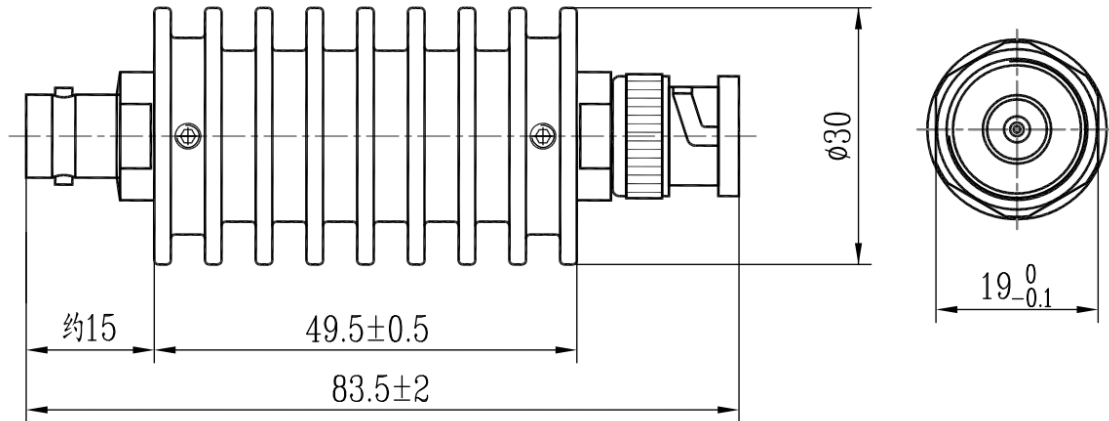


BNC Coaxial Fixed Attenuator, R3B10-XX DC-3GHz, 10W, 1-50dB, Bidirectional, Round

Dimensions(mm) Tolerance±1%



Electrical & Environmental

Frequency Range	DC-3GHz , 500hms
VSWR	1.2 Max
Input Avg Power	10W @25°C
Peak Power	100W (5μsec pulse width, 5% duty cycle)
Temp Coefficient	<0.0004 dB/dB/°C
Direction	Bidirectional, BNC male to BNC female
Attenuation	1-50dB
Operating Temp	-55°C~+125°C

Product Selection, Customizable

RFTOP P/N	ATTEN	Accuracy
R3B10-3	3 dB	±0.4 dB
R3B10-6	6 dB	±0.4 dB
R3B10-10	10 dB	±0.4 dB
R3B10-20	20 dB	±0.5 dB
R3B10-30	30 dB	±0.7 dB
R3B10-40	40 dB	±0.7 dB
R3B10-50	50 dB	±0.7 dB

Mechanical & Product Information

Product Number	R3B10-XX
Product Type	Coaxial Fixed Attenuator, P-Grade
Connector	BNC male, BNC female
Connector Body	Ternary alloy plated brass
Center Contact	Gold plated brass, Gold plated beryllium copper
Heat Sink	Black anodized aluminum

1. Customized connectors, dimensions, directionality, PIM, dB values.
2. Refer to the RFTOP attenuator selection and usage guide.

Notes: Pay attention to input/output. To ensure longevity and performance, do not use at full power for a long time. Peak power, pulse width, and duty cycle need to meet the requirements. Input high power, require heat dissipation, maintain temperature within 80°C. Reference Curve, derate linearly to 1W at 100°C.

