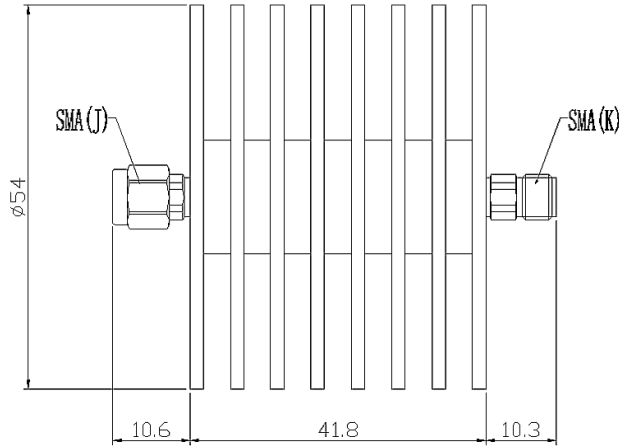


## SMA Coaxial Fixed Attenuator, R27S30UX-XX DC-26.5GHz, 30W, 10-30dB, Unidirectional, Round

### Dimensions(mm) Tolerance±1%



### Electrical & Environmental

|                         |   |
|-------------------------|---|
| <b>Frequency Range</b>  | DC-26.5GHz , 50Ohms                                 |
| <b>VSWR</b>             | 1.3 Max   |
| <b>Input Avg Power</b>  | 30W @25°C   |
| <b>Peak Power</b>       | 200W (5μsec pulse width, 5% duty cycle)             |
| <b>Temp Coefficient</b> | <0.0004 dB/dB/°C                                    |
| <b>Direction</b>        | Unidirectional, SMA male input to SMA female output |
| <b>Attenuation</b>      | 10-30dB   |
| <b>Operating Temp</b>   | -55°C~+125°C  |

### Product Selection, Customizable

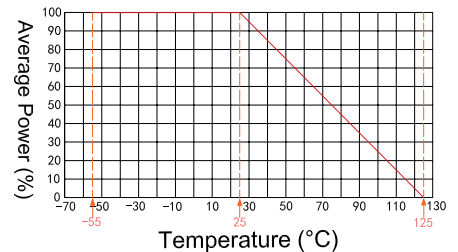
| RFTOP P/N   | ATTEN | Accuracy     |
|-------------|-------|--------------|
| R27S30UX-10 | 10 dB | +2.0/-1.5 dB |
| R27S30UX-20 | 20 dB | +2.0/-1.5 dB |
| R27S30UX-30 | 30 dB | +2.0/-1.5 dB |

**Notes:** Pay attention to input/output. To ensure longevity and performance, do not use at full power for a long time. Peak power, pulse width, and duty cycle need to meet the requirements. Input high power, require heat dissipation, maintain temperature within 60°C. Reference Curve, derate linearly to 3W at 100°C.

### Mechanical & Product Information

|                       |                                   |
|-----------------------|-----------------------------------|
| <b>Product Number</b> | R27S30UX-XX                       |
| <b>Product Type</b>   | Coaxial Fixed Attenuator, P-Grade |
| <b>Connector</b>      | SMA male, SMA female              |
| <b>Connector Body</b> | Passivated stainless steel        |
| <b>Center Contact</b> | BeCu/Brass, Gold plating          |
| <b>Heat Sink</b>      | Black anodized aluminum           |
| <b>Net Weight</b>     | About 115.0g                      |

Power derating Versus temperature



1. Customized connectors, dimensions, directionality, PIM, dB values.

2. Refer to the RFTOP attenuator selection and usage guide.