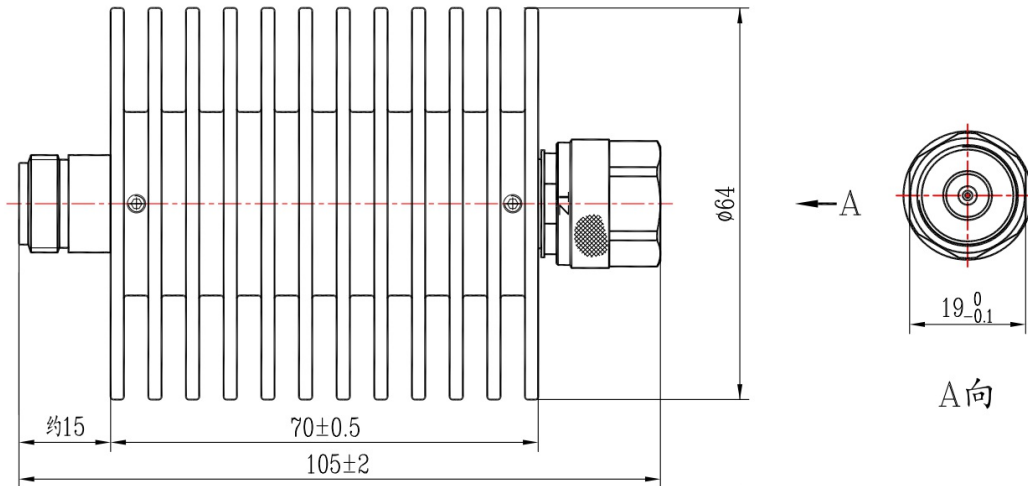




N Coaxial Fixed Attenuator, R18N50MFU-XX DC-18GHz, 50W, 1-40dB, Unidirectional, Round

Dimensions(mm) Tolerance±1%



Typical Value
RFTOP P/N
R18N50MFU-3
R18N50MFU-6
R18N50MFU-10
R18N50MFU-20
R18N50MFU-30
R18N50MFU-40

Electrical & Environmental

Frequency Range	DC-18GHz	Impedance	50 ohm	VSWR	1.45 max
Input Avg Power	50W @25°C	Peak Power	1kW (5µsec pulse width, 2% duty cycle)		
Temp Coefficient	<0.0004 dB/dB/°C	Attenuation	1-40dB, Customizable		
Direction	Unidirectional,N male input to N female output				

Mechanical & Product Information

Product Number	R18N50MFU-XX, Professional	Connector	N
Connector Body	Passivated stainless steel	Heat Sink	Black anodized aluminum
Center Contact	Gold plated brass, Gold plated beryllium copper		
Operating Temp	-55°C~+125°C	Net Weight	About 355.0g

Attenuation&Accuracy(DC-18GHz)

Attenuation(dB)	1-10	11-20	21-30	31-40
Accuracy(dB)	±0.8	±0.9	±1.1	±1.2-1.3

Notes

1. To maintain best performance, recommended to use fan to keep the case temp under 85°C.
2. Refer to the derating curve for power input,derate linearly to 5 W at 100°C.
3. Always pay attention to the direction of attenuators and note IN/OUT markings.
4. Customized dB values,outlines and optimal accuracy & VSWR available.

