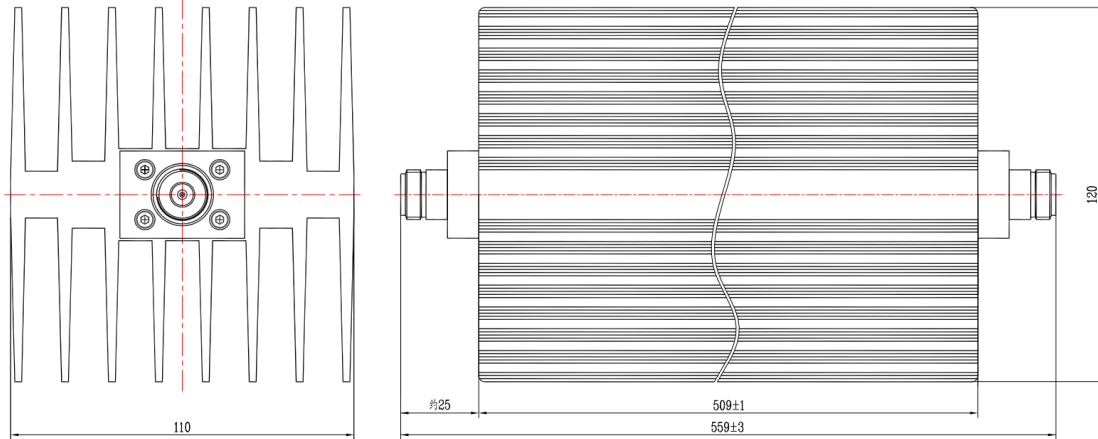




## N Coaxial Fixed Attenuator, **R18N500FFUA-XX** DC-18GHz, 500W, 10-60dB, Unidirectional, Rectangular

### Dimensions(mm) Tolerance±1%



### Electrical & Environmental

<b>Frequency Range</b>	DC-18GHz , 500hms
<b>VSWR</b>	1.5 Max
<b>Input Avg Power</b>	500W @25°C
<b>Peak Power</b>	1kW (5μsec pulse width, 10% duty cycle)
<b>Temp Coefficient</b>	<0.0004 dB/dB/°C
<b>Direction</b>	Unidirectional, N female input to N female output
<b>Attenuation</b>	10-60dB
<b>Operating Temp</b>	-55°C~+125°C

### Product Selection, Customizable

RFTOP P/N	ATTEN	Accuracy
R18N500FFUA-10	10 dB	±6.0 dB
R18N500FFUA-20	20 dB	±5.0 dB
R18N500FFUA-30	30 dB	±3.0 dB
R18N500FFUA-40	40 dB	±1.5 dB
R18N500FFUA-50	50 dB	±1.5 dB
R18N500FFUA-60	60 dB	±1.5 dB

**Notes:** Pay attention to input/output. To ensure longevity and performance, do not use at full power for a long time. Peak power, pulse width, and duty cycle need to meet the requirements. Input high power, require heat dissipation, maintain temperature within 80°C. Reference Curve, derate linearly to 50W at 100°C.

### Mechanical & Product Information

<b>Product Number</b>	R18N500FFUA-XX
<b>Product Type</b>	Coaxial Fixed Attenuator, P-Grade
<b>Connector</b>	N female, N female
<b>Connector Body</b>	Passivated stainless steel
<b>Center Contact</b>	Gold plated beryllium copper
<b>Heat Sink</b>	Black anodized aluminum
<b>Net Weight</b>	About 6.8kg

1. Customized connectors, dimensions, directionality, PIM, dB values.
2. Refer to the RFTOP attenuator selection and usage guide.

