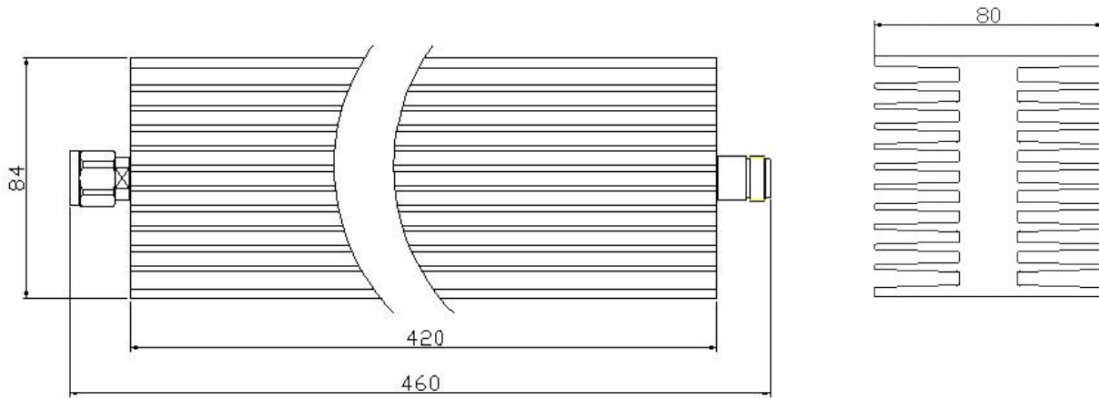


N Coaxial Fixed Attenuator, R18N300UAX-XX DC-18GHz, 300W, 10-40dB, Unidirectional, Rectangular

Dimensions(mm) Tolerance±1%



Electrical & Environmental

Frequency Range	DC-18GHz , 50Ohms
VSWR	1.55 Max
Input Avg Power	300W @25°C
Peak Power	1kW (5μsec pulse width, 10% duty cycle)
Temp Coefficient	<0.0004 dB/dB/°C
Direction	Unidirectional, N male input to N female output
Attenuation	10-40dB
Operating Temp	-55°C~+125°C

Product Selection, Customizable

RFTOP P/N	ATTEN	Accuracy
R18N300UAX-10	10 dB	±3.0 dB
R18N300UAX-20	20 dB	+5.0/-3.5 dB
R18N300UAX-30	30 dB	+3.5/-3.0 dB
R18N300UAX-40	40 dB	+3.5/-2.0 dB

Notes: Pay attention to input/output. To ensure longevity and performance, do not use at full power for a long time. Peak power, pulse width, and duty cycle need to meet the requirements. Input high power, require heat dissipation, maintain temperature within 60°C. Reference Curve, derate linearly to 30W at 100°C.

Mechanical & Product Information

Product Number	R18N300UAX-XX
Product Type	Coaxial Fixed Attenuator, JP-Grade
Connector	N male, N female
Connector Body	Passivated stainless steel
Center Contact	1.27um Gold plated brass / beryllium copper
Heat Sink	Black anodized aluminum

1. Customized connectors, dimensions, directionality, PIM, dB values.
2. Refer to the RFTOP attenuator selection and usage guide.

