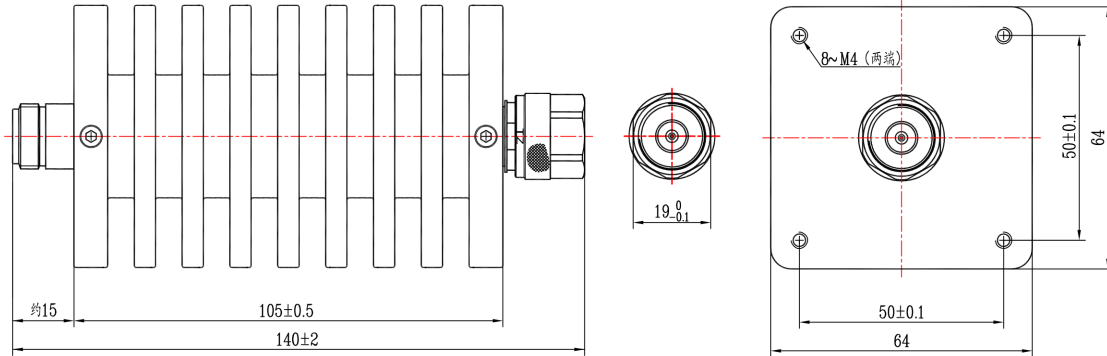


## N Coaxial Fixed Attenuator, R12N75AB-XX DC-12.4GHz, 75W, 6-60dB, Bidirectional, Rectangular

### Dimensions(mm) Tolerance $\pm 1\%$



### Electrical & Environmental

<b>Frequency Range</b>	DC-12.4GHz , 50Ohms
<b>VSWR</b>	1.35 Max
<b>Input Avg Power</b>	75W @25°C
<b>Peak Power</b>	500W (5μsec pulse width, 5% duty cycle)
<b>Temp Coefficient</b>	<0.0004 dB/dB/°C
<b>Direction</b>	Bidirectional, N male to N female
<b>Attenuation</b>	6-60dB
<b>Operating Temp</b>	-55°C~+125°C

### Product Selection, Customizable

RFTOP P/N	ATTEN	Accuracy
R12N75AB-6	6 dB	$\pm 1.2$ dB
R12N75AB-10	10 dB	$\pm 1.2$ dB
R12N75AB-20	20 dB	$\pm 1.2$ dB
R12N75AB-30	30 dB	$\pm 0.9$ dB
R12N75AB-40	40 dB	$\pm 1.0$ dB
R12N75AB-50	50 dB	$\pm 1.0$ dB
R12N75AB-60	60 dB	$\pm 1.1$ dB

### Mechanical & Product Information

<b>Product Number</b>	R12N75AB-XX
<b>Product Type</b>	Coaxial Fixed Attenuator, P-Grade
<b>Connector</b>	N male, N female
<b>Connector Body</b>	Ternary alloy plated brass
<b>Center Contact</b>	Gold plated brass, Gold plated beryllium copper
<b>Heat Sink</b>	Black anodized aluminum

1. Customized connectors, dimensions, directionality, PIM, dB values.
2. Refer to the RFTOP attenuator selection and usage guide.

**Notes:** Pay attention to input/output. To ensure longevity and performance, do not use at full power for a long time. Peak power, pulse width, and duty cycle need to meet the requirements. Input high power, require heat dissipation, maintain temperature within 80°C. Reference Curve, derate linearly to 8W at 100°C.

