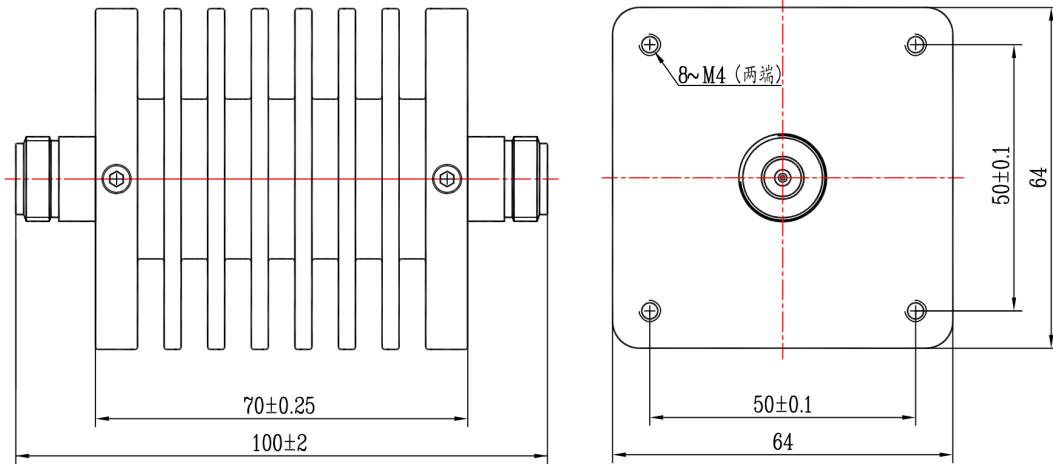


N Coaxial Fixed Attenuator, R12N50FFAB-XX DC-12.4GHz, 50W, 1-60dB, Bidirectional, Rectangular

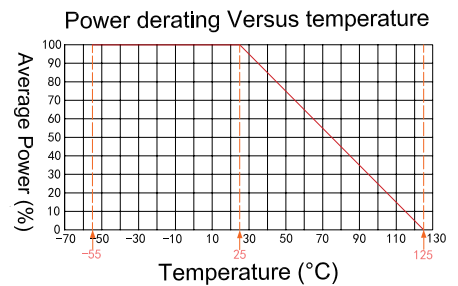
Dimensions(mm) Tolerance $\pm 1\%$



Electrical & Environmental

Frequency Range	DC-12.4GHz , 50Ohms
VSWR	1.35 Max
Input Avg Power	50W @25°C
Peak Power	500W (5 μ sec pulse width, 5% duty cycle)
Temp Coefficient	<0.0004 dB/dB/°C
Direction	Bidirectional, N female to N female
Attenuation	1-60dB
Operating Temp	-55°C~+125°C

Notes: Pay attention to input/output. To ensure longevity and performance, do not use at full power for a long time. Peak power, pulse width, and duty cycle need to meet the requirements. Input high power, require heat dissipation, maintain temperature within 80°C. Reference Curve, derate linearly to 5W at 100°C.



Mechanical & Product Information

Product Number	R12N50FFAB-XX
Product Type	Coaxial Fixed Attenuator, P-Grade
Connector	N female, N female
Connector Body	Ternary alloy plated brass
Center Contact	Gold plated beryllium copper
Heat Sink	Black anodized aluminum

1. Customized connectors, dimensions, directionality, PIM, dB values.

2. Refer to the RFTOP attenuator selection and usage guide.