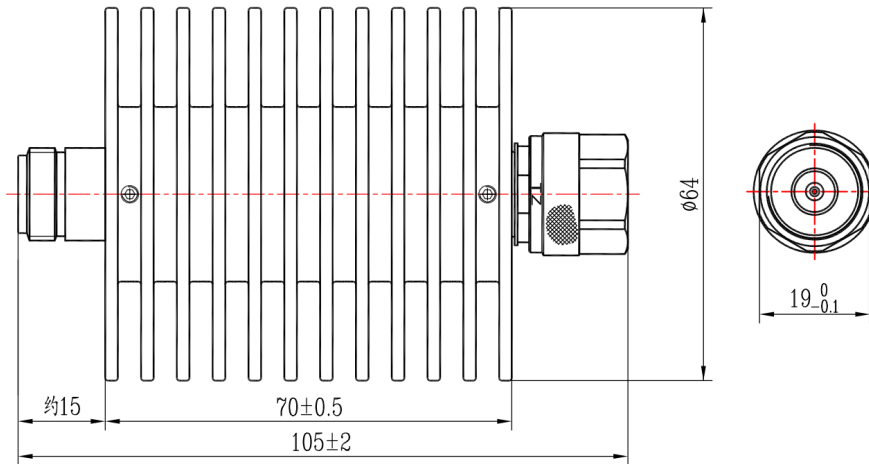


## N Coaxial Fixed Attenuator, R12N50-XX DC-12.4GHz, 50W, 1-60dB, Bidirectional, Round

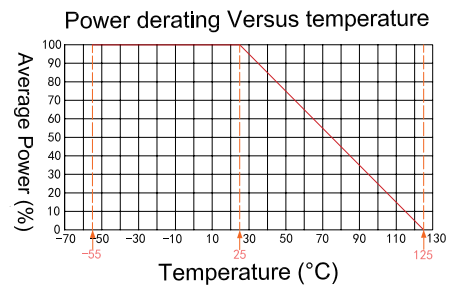
### Dimensions(mm) Tolerance±1%



### Electrical & Environmental

<b>Frequency Range</b>	DC-12.4GHz , 50Ohms
<b>VSWR</b>	1.35 Max
<b>Input Avg Power</b>	50W @25°C
<b>Peak Power</b>	800W (5 $\mu$ sec pulse width, 3% duty cycle)
<b>Temp Coefficient</b>	<0.0004 dB/dB/°C
<b>Direction</b>	Bidirectional, N male input to N female output
<b>Attenuation</b>	1-60dB
<b>Operating Temp</b>	-55°C~+125°C

**Notes:** Pay attention to input/output. To ensure longevity and performance, do not use at full power for a long time. Peak power, pulse width, and duty cycle need to meet the requirements. Input high power, require heat dissipation, maintain temperature within 80°C. Reference Curve, derate linearly to 5W at 100°C.



### Mechanical & Product Information

<b>Product Number</b>	R12N50-XX
<b>Product Type</b>	Coaxial Fixed Attenuator, P-Grade
<b>Connector</b>	N male, N female
<b>Connector Body</b>	Ternary alloy plated brass
<b>Center Contact</b>	Gold plated brass, Gold plated beryllium copper
<b>Heat Sink</b>	Black anodized aluminum
<b>Net Weight</b>	About 355.0g

1. Customized connectors, dimensions, directionality, PIM, dB values.
2. Refer to the RFTOP attenuator selection and usage guide.