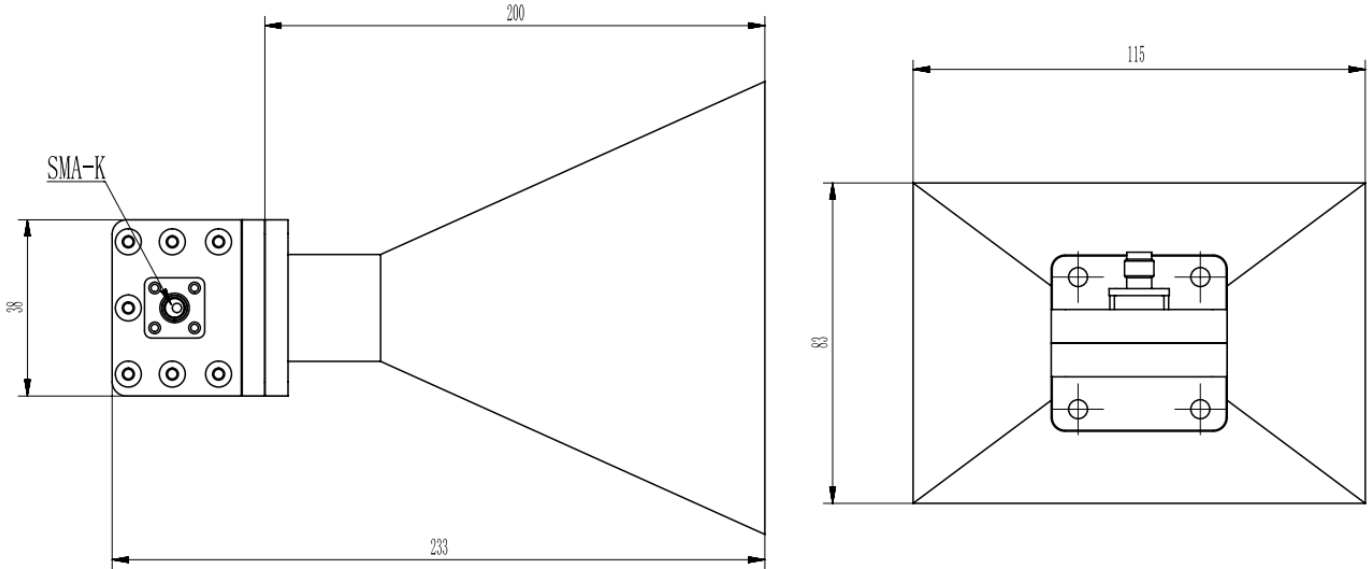


**WR75 Standard Gain Horn Antenna, SMA Female, RWHA75S-20**  
**9.84-15GHz, 20dB Nominal Gain, FBP120(UBR) Flange, Right Angle**

**Dimensions(mm) Tolerance±1%**



**Electrical & Environmental**

<b>Frequency Range</b>	9.84-15GHz	<b>Impedance</b>	50 Ohm
<b>VSWR</b>	1.2 Max		
<b>Nominal Gain</b>	20 dBi		

**Mechanical & Product Information**

<b>Product Number</b>	RWHA75S-20, P-Grade	<b>Product Type</b>	Standard Gain Horn Antenna
<b>Connector</b>	SMA Female, Right Angle	<b>Connector Body</b>	Passivated stainless steel
<b>Waveguide</b>	WR75(BJ120), FBP120(UBR) Flange	<b>Waveguide Body</b>	Aluminum, Light blue painted
<b>Center Contact</b>	Aluminum, electric conductive oxidation		
<b>Dimensions</b>	233(L)*115(W)*83(H)mm	<b>Net Weight</b>	-