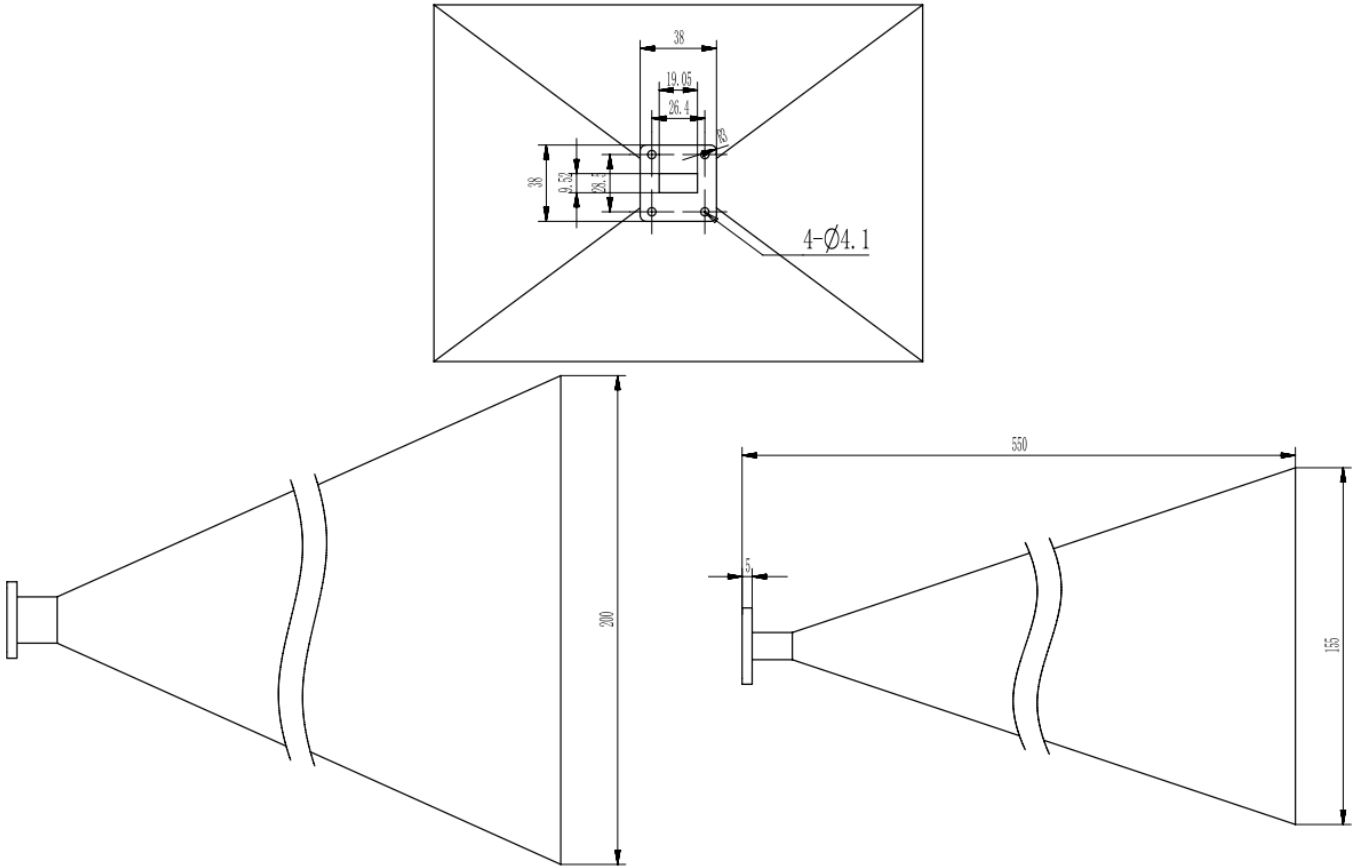


**WR75 Standard Gain Horn Antenna, RWHA75-25**  
**9.84-15GHz, 25dB Nominal Gain, FBP120(UBR) Flange**

**Dimensions(mm) Tolerance±1%**



**Electrical & Environmental**

<b>Frequency Range</b>	9.84-15GHz	<b>Impedance</b>	50 Ohm
<b>VSWR</b>	1.2 Max		
<b>Nominal Gain</b>	25 dBi		

**Mechanical & Product Information**

<b>Product Number</b>	RWHA75-25, P-Grade	<b>Product Type</b>	Standard Gain Horn Antenna
<b>Waveguide</b>	WR75(BJ120), FBP120(UBR) Flange	<b>Waveguide Body</b>	Aluminum, Light blue painted
<b>Dimensions</b>	550(L)*200(W)*155(H)mm	<b>Net Weight</b>	-