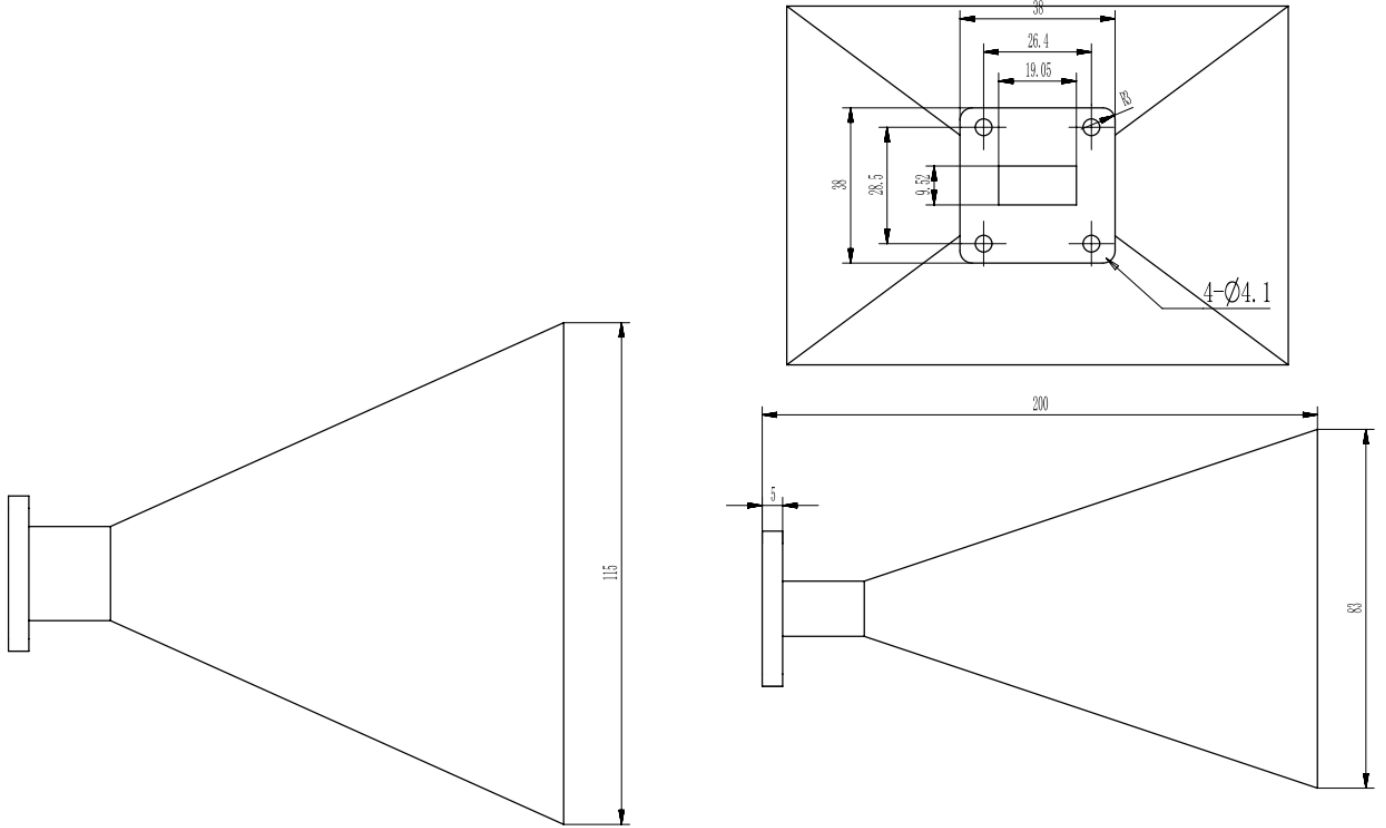




WR75 Standard Gain Horn Antenna, RWHA75-20
9.84-15GHz, 20dB Nominal Gain, FBP120(UBR) Flange

Dimensions(mm) Tolerance \pm 1%

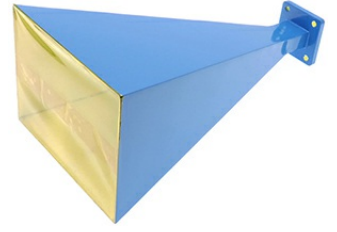


Electrical & Environmental

Frequency Range	9.84-15GHz	Impedance	50 Ohm
VSWR	1.2 Max		
Nominal Gain	20 dBi		

Mechanical & Product Information

Product Number	RWHA75-20, P-Grade	Product Type	Standard Gain Horn Antenna
Waveguide	WR75(BJ120), FBP120(UBR) Flange	Waveguide Body	Aluminum, Light blue paint
Dimensions	200(L)*115(W)*83(H)mm	Net Weight	About 193.0g



WR75 Standard Gain Horn Antenna, RWHA75-20
9.84-15GHz, 20dB Nominal Gain, FBP120(UBR) Flange

Typical Test Data

