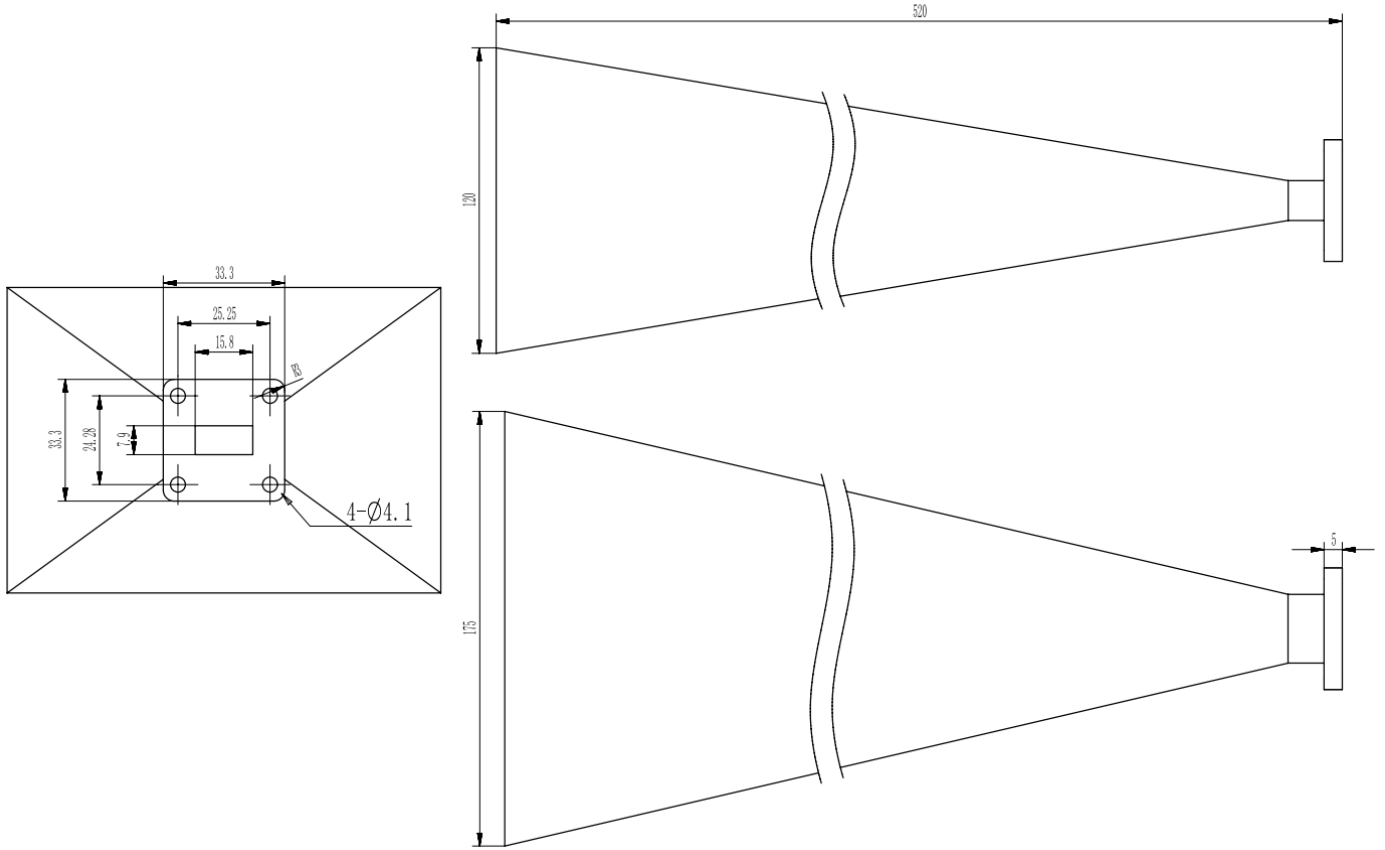


WR62 Standard Gain Horn Antenna, RWHA62-25 11.9-18GHz, 25dB Nominal Gain, FBP140(UBR) Flange

Dimensions(mm) Tolerance $\pm 1\%$



Electrical & Environmental

Frequency Range	11.9-18GHz	Impedance	50 Ohm
VSWR	1.2 Max		
Nominal Gain	25 dBi		

Mechanical & Product Information

Product Number	RWHA62-25, P-Grade	Product Type	Standard Gain Horn Antenna
Waveguide	WR62(BJ140), FBP140(UBR) Flange	Waveguide Body	Aluminum, Light blue painted
Dimensions	520(L)*175(W)*120(H)mm	Net Weight	-