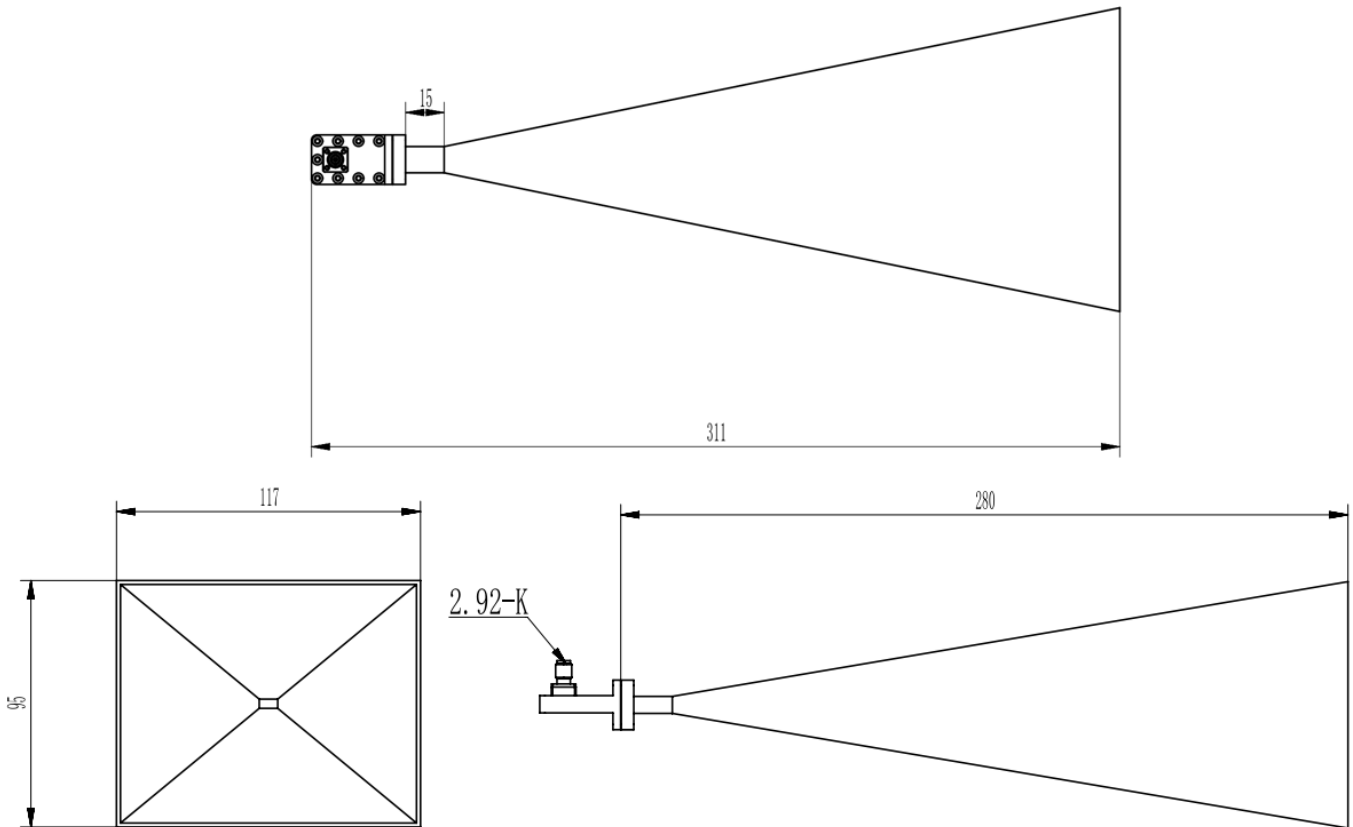


WR28 Standard Gain Horn Antenna, 2.92mm Female, RWHA28K-25
26.5-40GHz, 25dB Nominal Gain, FBP320(UBR) Flange, Right Angle

Dimensions(mm) Tolerance±1%



Electrical & Environmental

Frequency Range	26.5-40GHz	Impedance	50 Ohm
VSWR	1.3 Max		
Nominal Gain	25 dBi		

Mechanical & Product Information

Product Number	RWHA28K-25, P-Grade	Product Type	Standard Gain Horn Antenna
Connector	2.92mm Female, Right Angle	Connector Body	Passivated stainless steel
Waveguide	WR28(BJ320), FBP320(UBR) Flange	Waveguide Body	Copper, Light blue painted
Center Contact	Copper pickling		
Dimensions	311(L)*117(W)*95(H)mm	Net Weight	-