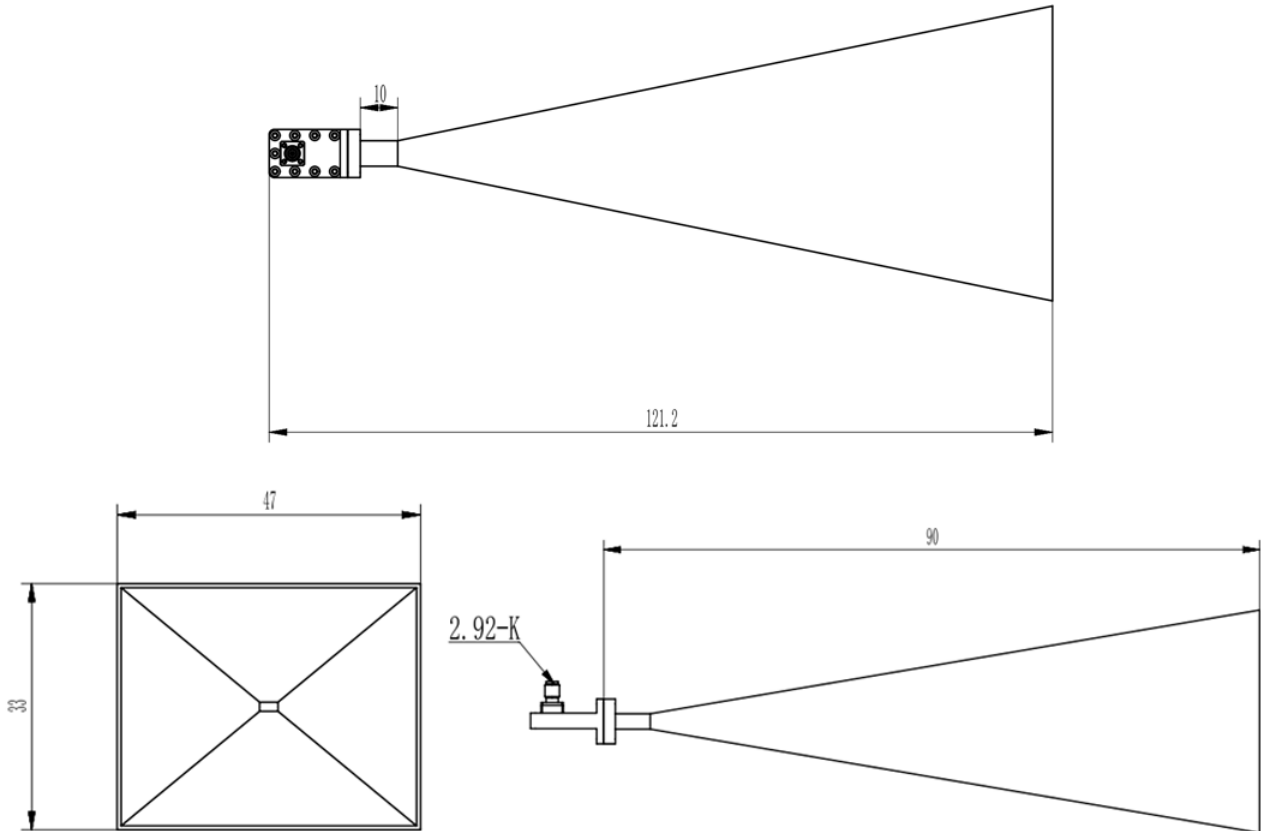


**WR28 Standard Gain Horn Antenna, 2.92mm Female, RWHA28K-20**  
**26.5-40GHz, 20dB Nominal Gain, FBP320(UBR) Flange, Right Angle**

**Dimensions(mm) Tolerance±1%**

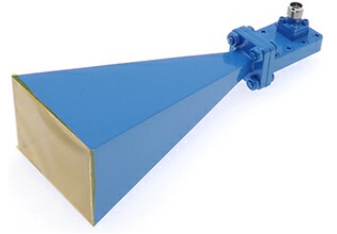


**Electrical & Environmental**

<b>Frequency Range</b>	26.5-40GHz	<b>Impedance</b>	50 Ohm
<b>VSWR</b>	1.3 Max		
<b>Nominal Gain</b>	20 dBi		

**Mechanical & Product Information**

<b>Product Number</b>	RWHA28K-20, P-Grade	<b>Product Type</b>	Standard Gain Horn Antenna
<b>Connector</b>	2.92mm Female, Right Angle	<b>Connector Body</b>	Passivated stainless steel
<b>Waveguide</b>	WR28(BJ320), FBP320(UBR) Flange	<b>Waveguide Body</b>	Copper, Light blue paint
<b>Center Contact</b>	Copper pickling		
<b>Dimensions</b>	121.2(L)*47(W)*33(H)mm	<b>Net Weight</b>	About 114.0g



**WR28 Standard Gain Horn Antenna, 2.92mm Female, RWHA28K-20**  
**26.5-40GHz, 20dB Nominal Gain, FBP320(UBR) Flange, Right Angle**

**Typical Test Data**

