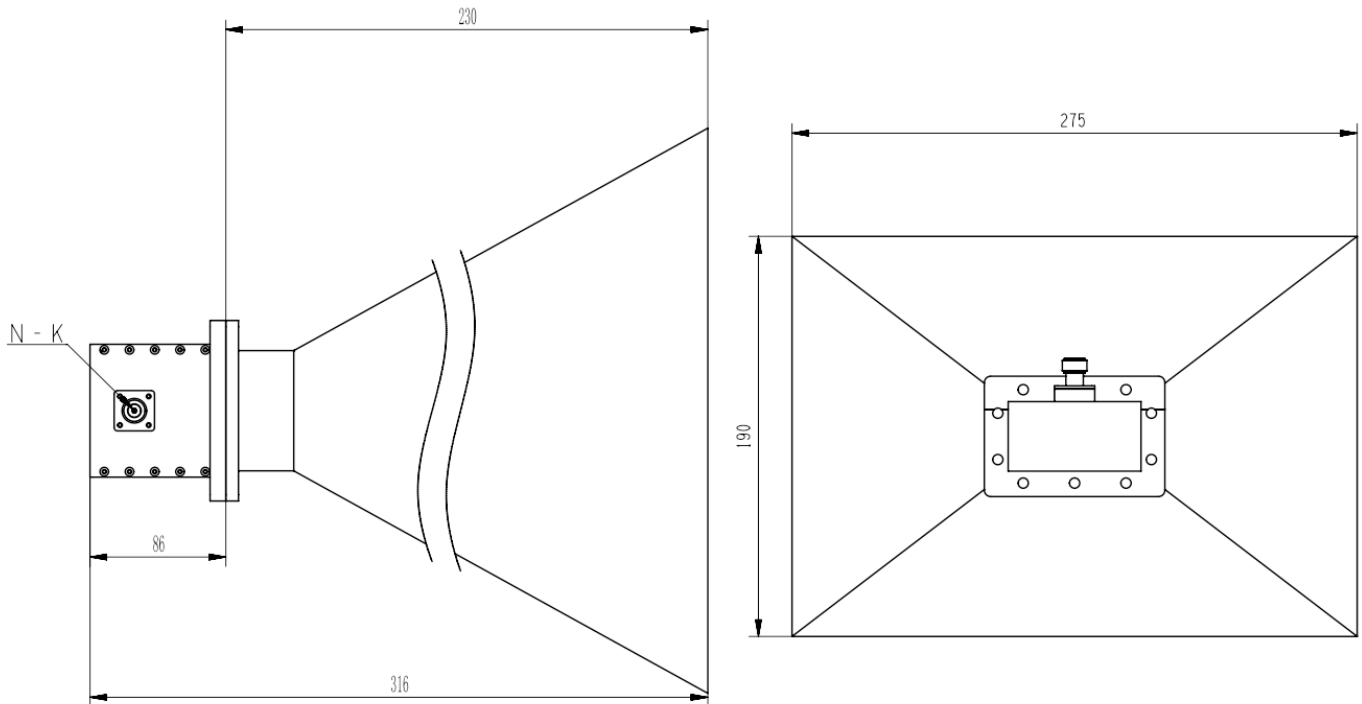


WR284 Standard Gain Horn Antenna, N Female, RWHA284N-15
2.6-3.95GHz, 15dB Nominal Gain, FDP32(UDR) Flange, Right Angle

Dimensions(mm) Tolerance±1%



Electrical & Environmental

Frequency Range	2.6-3.95GHz	Impedance	50 Ohm
VSWR	1.3 Max		
Nominal Gain	15 dBi		

Mechanical & Product Information

Product Number	RWHA284N-15, P-Grade	Product Type	Standard Gain Horn Antenna
Connector	N Female, Right Angle	Connector Body	Passivated stainless steel
Waveguide	WR284(BJ32), FDP32(UDR) Flange	Waveguide Body	Aluminum, Light blue painted
Center Contact	Aluminum, electric conductive oxidation		
Dimensions	316(L)*275(W)*190(H)mm	Net Weight	-