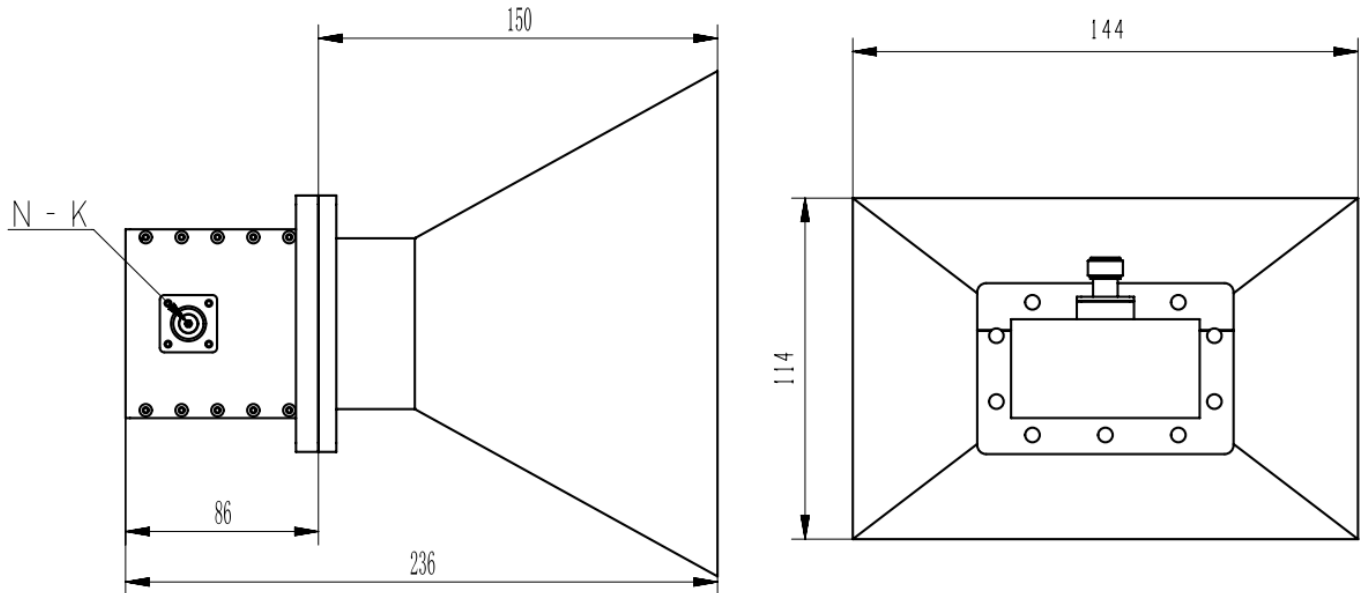


WR284 Standard Gain Horn Antenna, N Female, RWHA284N-10
2.6-3.95GHz, 10dB Nominal Gain, FDP32(UDR) Flange, Right Angle

Dimensions(mm) Tolerance $\pm 1\%$



Electrical & Environmental

Frequency Range	2.6-3.95GHz	Impedance	50 Ohm
VSWR	1.4 Max		
Nominal Gain	10 dBi		

Mechanical & Product Information

Product Number	RWHA284N-10, P-Grade	Product Type	Standard Gain Horn Antenna
Connector	N Female, Right Angle	Connector Body	Passivated stainless steel
Waveguide	WR284(BJ32), FDP32(UDR) Flange	Waveguide Body	Aluminum, Light blue painted
Center Contact	Aluminum, electric conductive oxidation		
Dimensions	236(L)*144(W)*114(H)mm	Net Weight	-