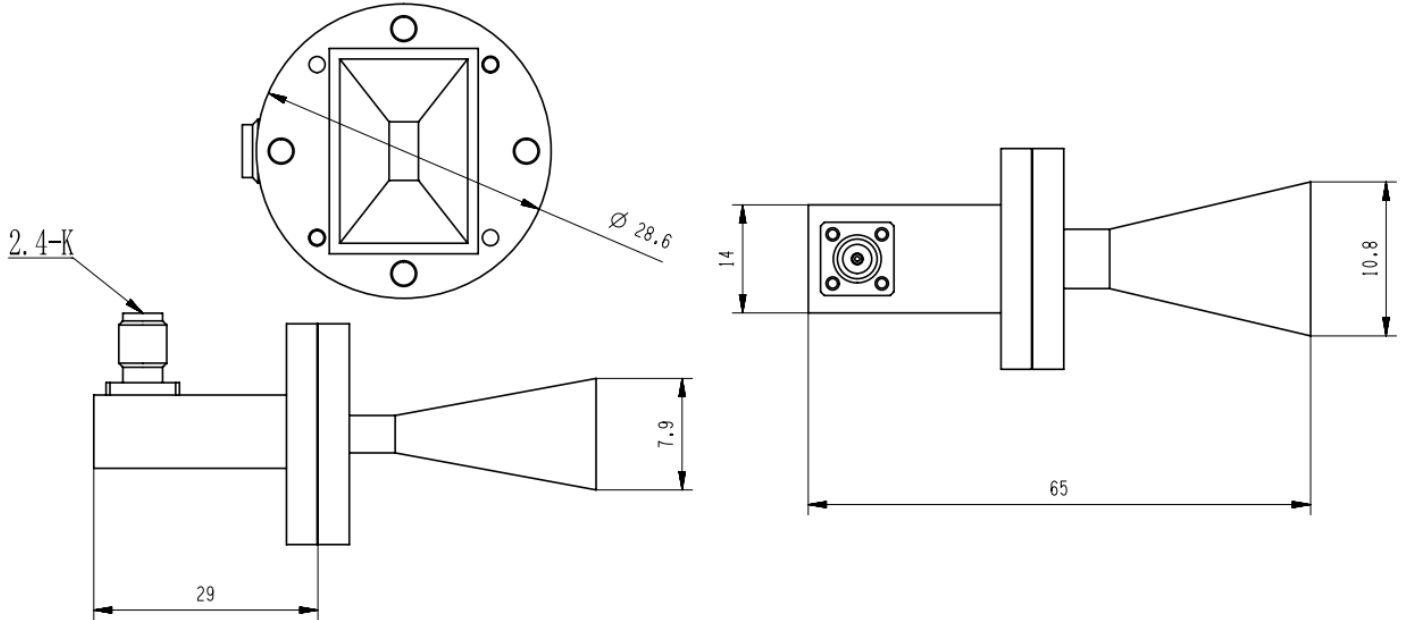


WR22 Standard Gain Horn Antenna, 2.4mm Female, RWHA22U-10
32.9-50.1GHz, 10dB Nominal Gain, FUGP400 Circular Flange, Right
Angle

Dimensions(mm) Tolerance±1%



Electrical & Environmental

Frequency Range	32.9-50.1GHz	Impedance	50 Ohm
VSWR	1.4 Max		
Nominal Gain	10 dBi		

Mechanical & Product Information

Product Number	RWHA22U-10, P-Grade	Product Type	Standard Gain Horn Antenna
Connector	2.4mm Female, Right Angle	Connector Body	Passivated stainless steel
Waveguide	WR22(BJ400), FUGP400 Circular Flange	Waveguide Body	Copper, gold plated
Center Contact	Copper, gold plated		
Dimensions	65(L)*10.8(W)*7.9(H)mm	Net Weight	-



Microwave and Millimeter wave products
supplier

RFTOP® Technology Co., Ltd.
www.rftop.com service@rftop.com 86-755-88840350