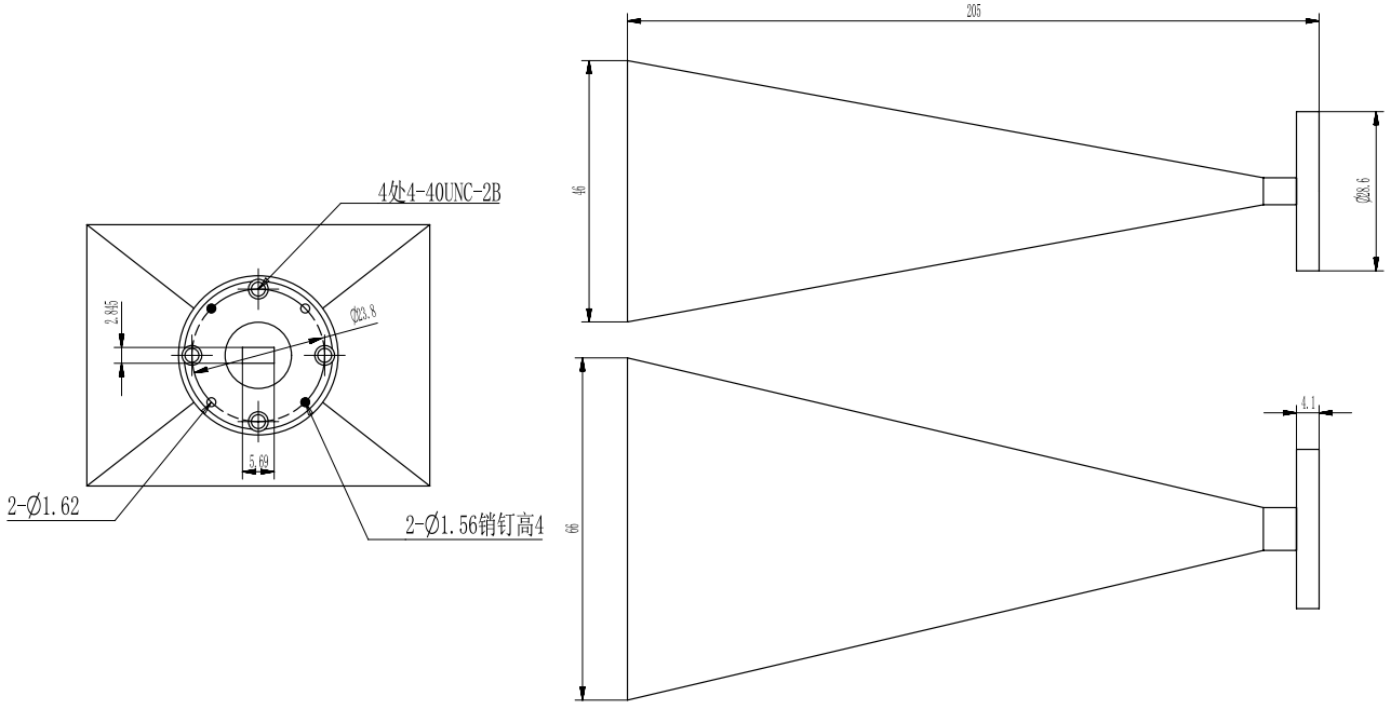


WR22 Standard Gain Horn Antenna, RWHA22-25
32.9-50.1GHz, 25dB Nominal Gain, FUGP400 Circular Flange

Dimensions(mm) Tolerance±1%



Electrical & Environmental

Frequency Range	32.9-50.1GHz	Impedance	50 Ohm
VSWR	1.2 Max		
Nominal Gain	25 dBi		

Mechanical & Product Information

Product Number	RWHA22-25, P-Grade	Product Type	Standard Gain Horn Antenna
Waveguide	WR22(BJ400), FUGP400 Circular Flange	Waveguide Body	Copper, gold plated
Dimensions	205(L)*66(W)*46(H)mm	Net Weight	-