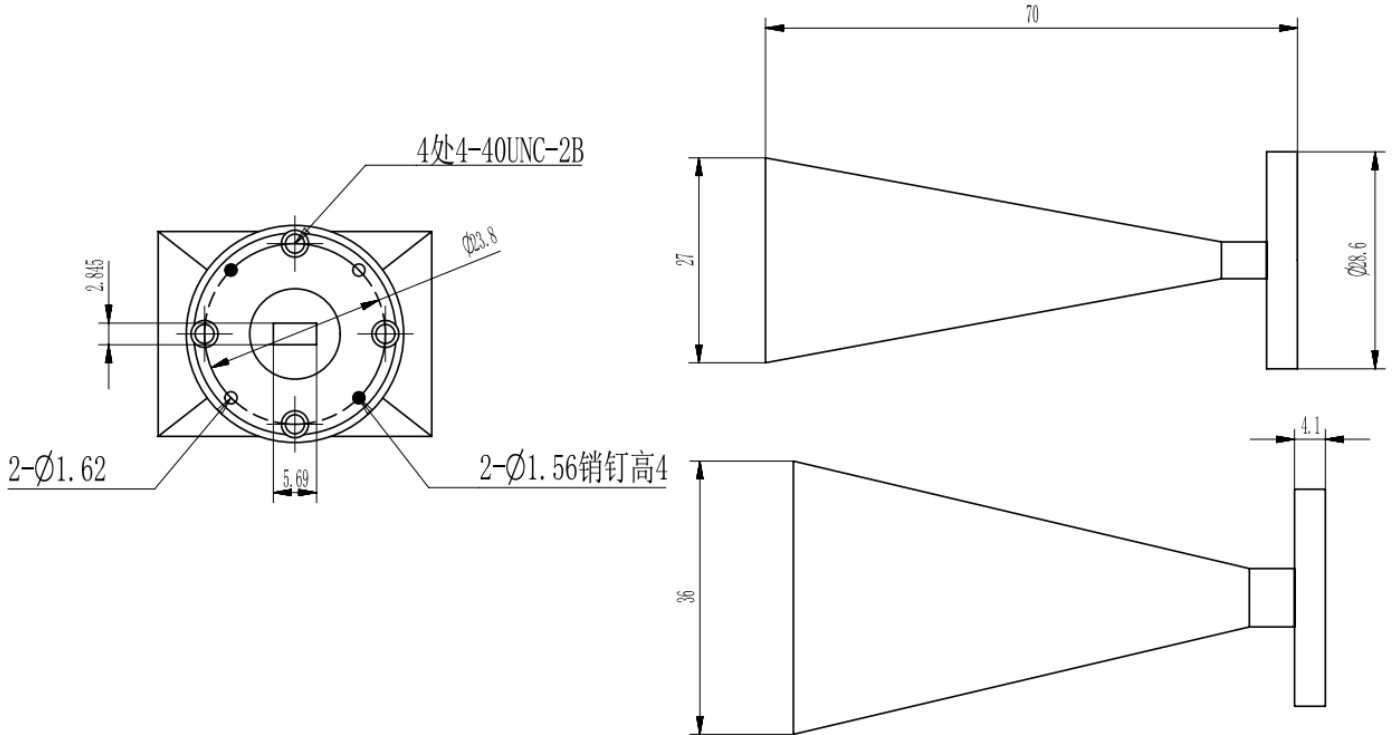


**WR22 Standard Gain Horn Antenna, RWHA22-20**  
**32.9-50.1GHz, 20dB Nominal Gain, FUGP400 Circular Flange**

**Dimensions(mm) Tolerance±1%**



**Electrical & Environmental**

<b>Frequency Range</b>	32.9-50.1GHz	<b>Impedance</b>	50 Ohm
<b>VSWR</b>	1.2 Max		
<b>Nominal Gain</b>	20 dBi		

**Mechanical & Product Information**

<b>Product Number</b>	RWHA22-20, P-Grade	<b>Product Type</b>	Standard Gain Horn Antenna
<b>Waveguide</b>	WR22(BJ400), FUGP400 Circular Flange	<b>Waveguide Body</b>	Copper, gold plated
<b>Dimensions</b>	70(L)*36(W)*27(H)mm	<b>Net Weight</b>	-