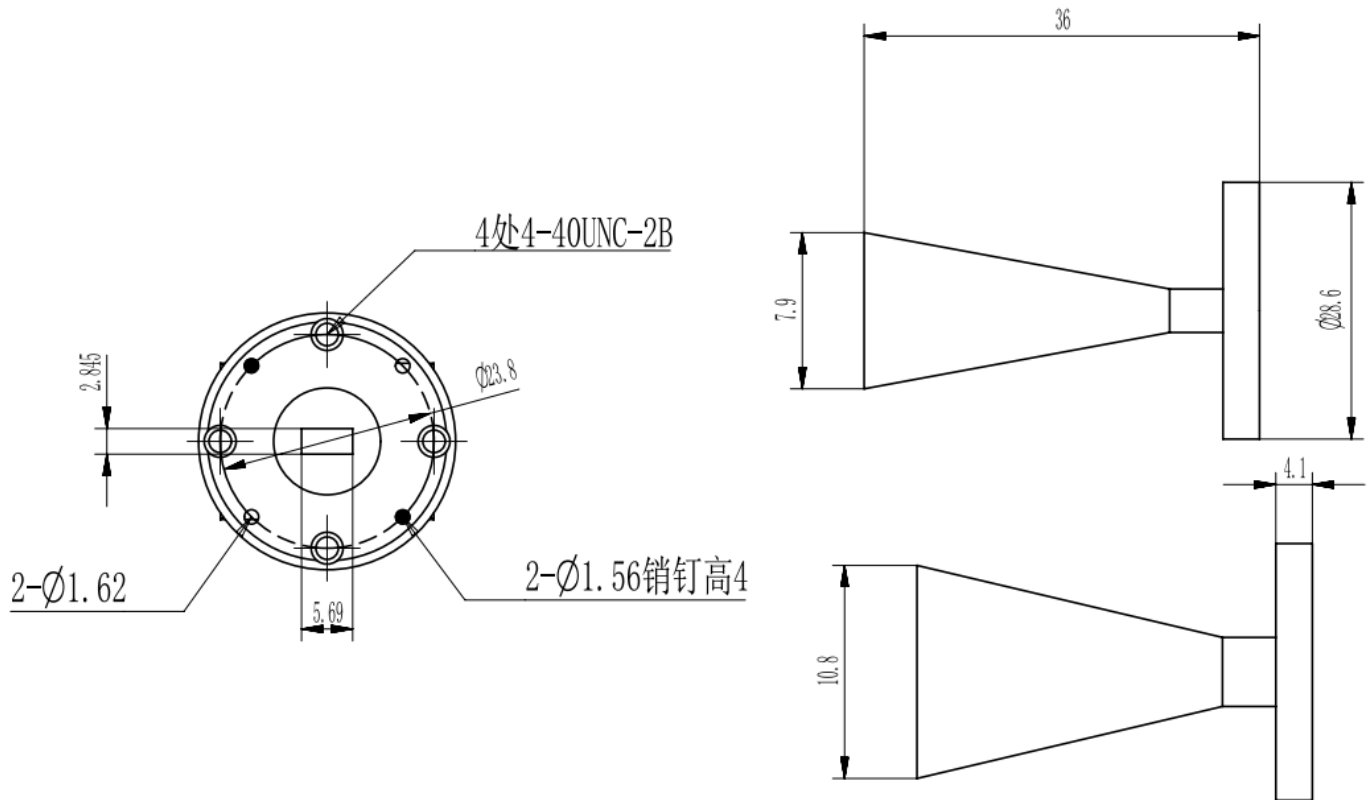


WR22 Standard Gain Horn Antenna, RWHA22-10 32.9-50.1GHz, 10dB Nominal Gain, FUGP400 Circular Flange

Dimensions(mm) Tolerance $\pm 1\%$



Electrical & Environmental

Frequency Range	32.9-50.1GHz	Impedance	50 Ohm
VSWR	1.25 Max		
Nominal Gain	10 dBi		

Mechanical & Product Information

Product Number	RWHA22-10, P-Grade	Product Type	Standard Gain Horn Antenna
Waveguide	WR22(BJ400), FUGP400 Circular Flange	Waveguide Body	Copper, gold plated
Dimensions	36(L)*10.8(W)*7.9(H)mm	Net Weight	-