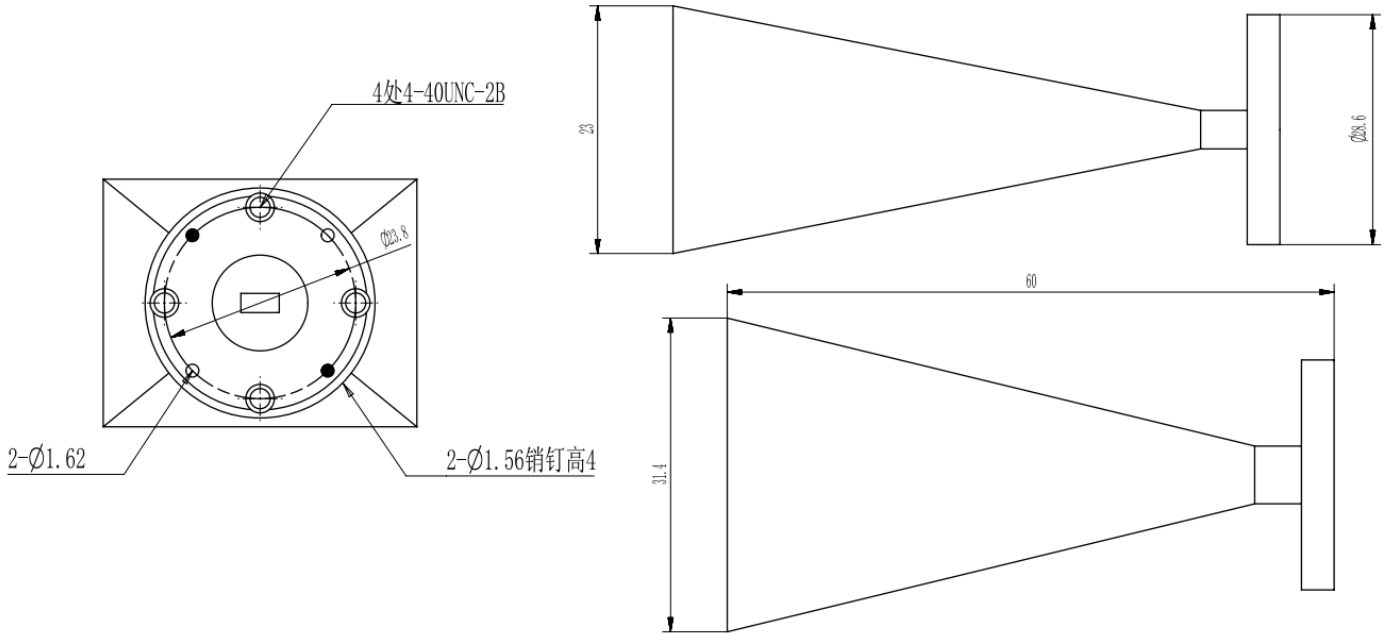


## WR19 Standard Gain Horn Antenna, RWHA19-20 39.2-59.6GHz, 20dB Nominal Gain, FUGP500 Circular Flange

Dimensions(mm) Tolerance $\pm 1\%$



### Electrical & Environmental

Frequency Range	39.2-59.6GHz	Impedance	50 Ohm
VSWR	1.2 Max		
Nominal Gain	20 dBi		

### Mechanical & Product Information

Product Number	RWHA19-20, P-Grade	Product Type	Standard Gain Horn Antenna
Waveguide	WR19(BJ500), FUGP500 Circular Flange	Waveguide Body	Copper, gold plated
Dimensions	60(L)*31.4(W)*23(H)mm	Net Weight	-