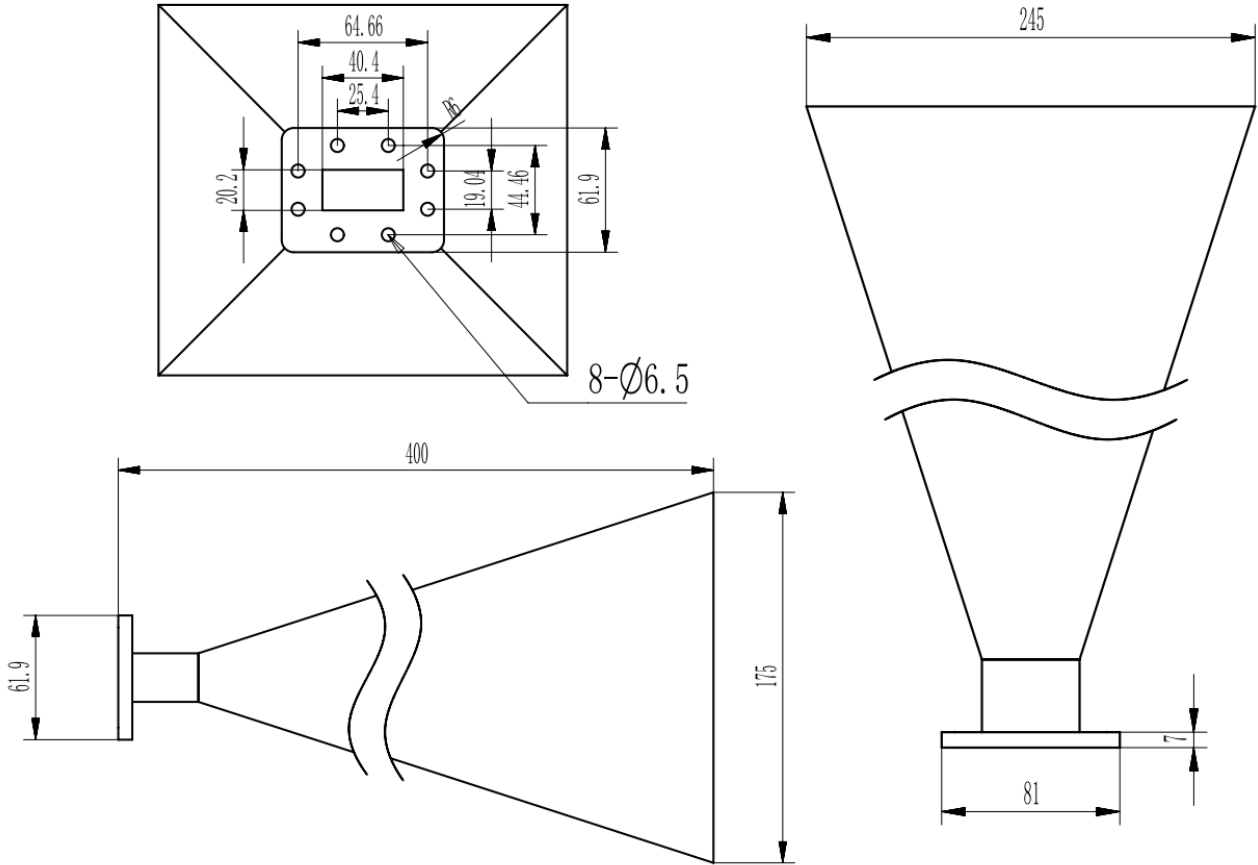


WR159 Standard Gain Horn Antenna, RWHA159-20
4.64-7.05GHz, 20dB Nominal Gain, FDP58(UDR) Flange

Dimensions(mm) Tolerance±1%



Electrical & Environmental

Frequency Range	4.64-7.05GHz	Impedance	50 Ohm
VSWR	1.2 Max		
Nominal Gain	20 dBi		

Mechanical & Product Information

Product Number	RWHA159-20, P-Grade	Product Type	Standard Gain Horn Antenna
Waveguide	WR159(BJ58), FDP58(UDR) Flange	Waveguide Body	Aluminum, Light blue painted
Dimensions	400(L)*245(W)*175(H)mm	Net Weight	-