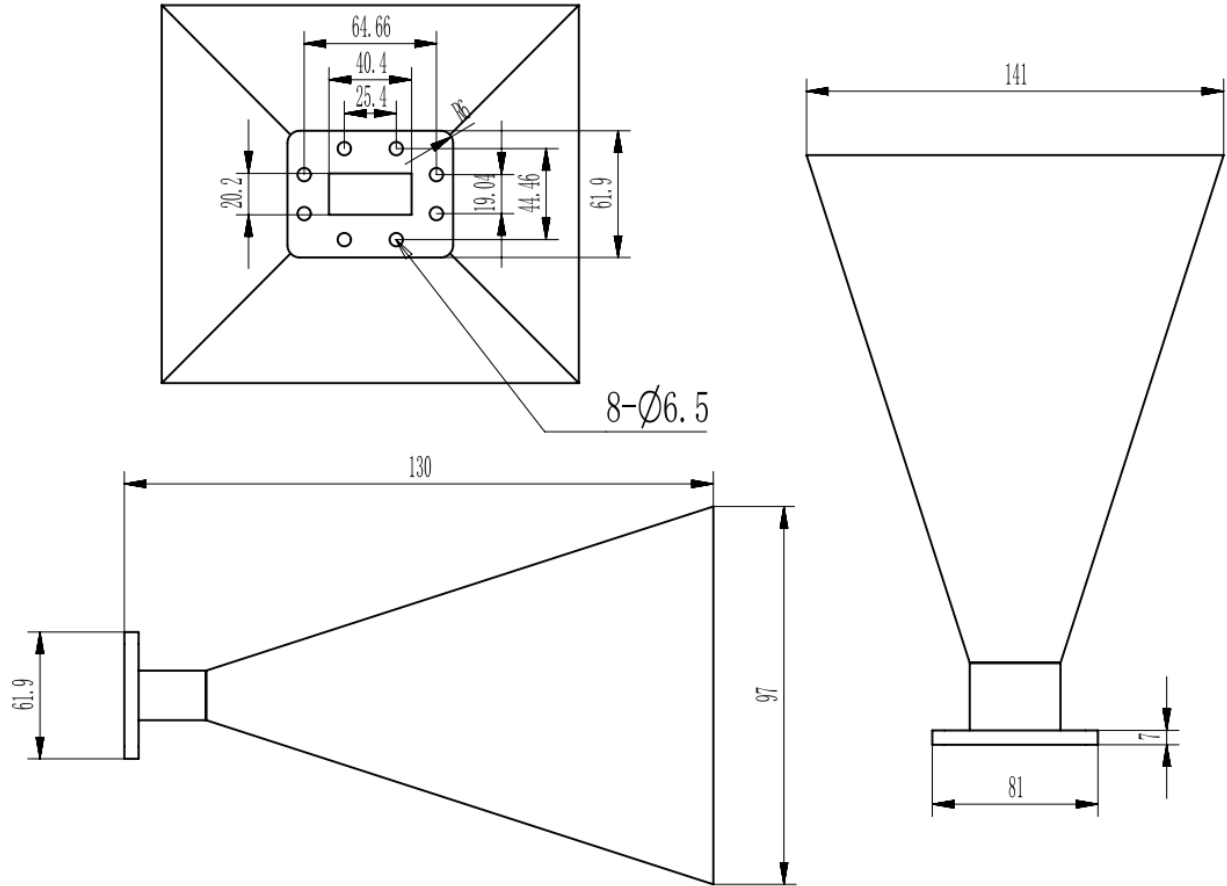


**WR159 Standard Gain Horn Antenna, RWHA159-15**  
4.64-7.05GHz, 15dB Nominal Gain, FDP58(UDR) Flange

Dimensions(mm) Tolerance $\pm 1\%$



**Electrical & Environmental**

<b>Frequency Range</b>	4.64-7.05GHz	<b>Impedance</b>	50 Ohm
<b>VSWR</b>	1.2 Max		
<b>Nominal Gain</b>	15 dBi		

**Mechanical & Product Information**

<b>Product Number</b>	RWHA159-15, P-Grade	<b>Product Type</b>	Standard Gain Horn Antenna
<b>Waveguide</b>	WR159(BJ58), FDP58(UDR) Flange	<b>Waveguide Body</b>	Aluminum, Light blue painted
<b>Dimensions</b>	130(L)*141(W)*97(H)mm	<b>Net Weight</b>	-