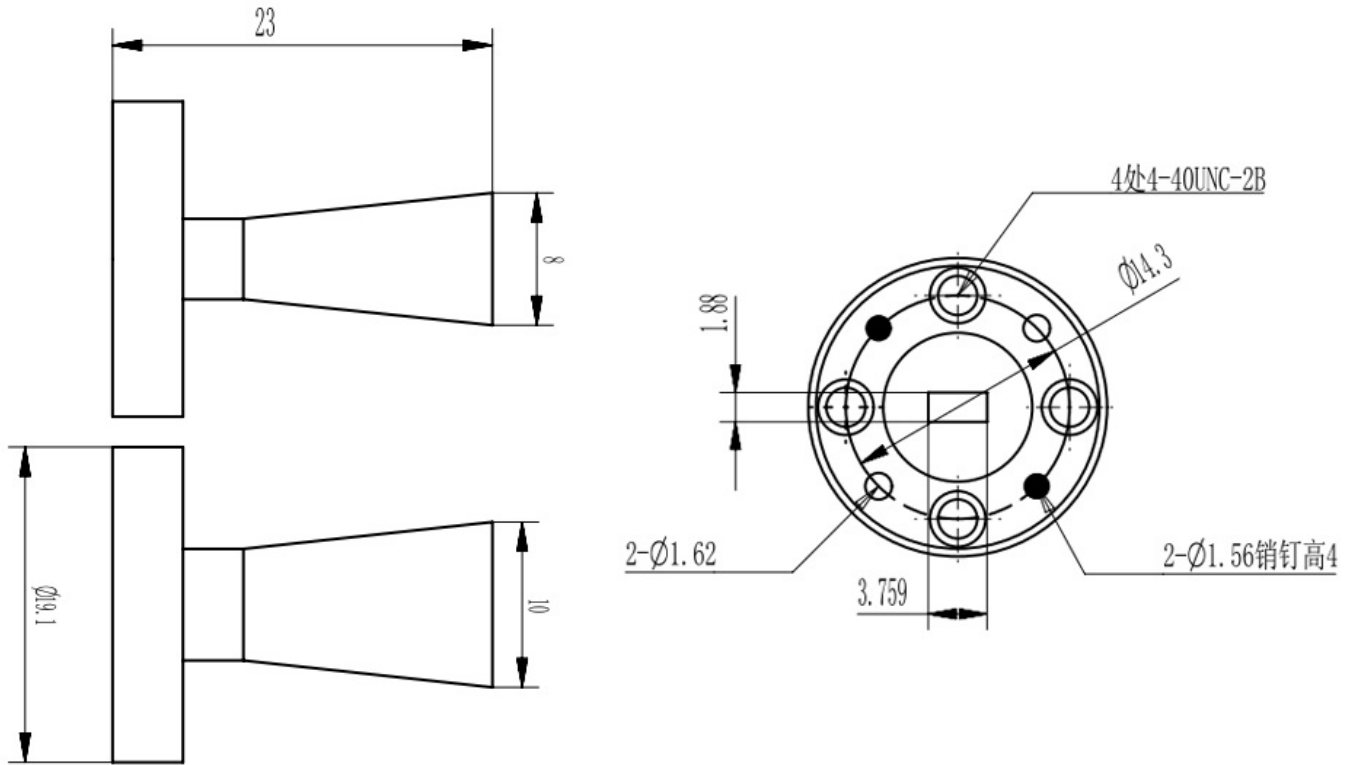


WR15 Standard Gain Horn Antenna, **RWHA15-10** 49.8-75.8GHz, 10dB Nominal Gain, FUGP620 Circular Flange

Dimensions(mm) Tolerance $\pm 1\%$



Electrical & Environmental

Frequency Range	49.8-75.8GHz	Impedance	50 Ohm
VSWR	1.25 Max		
Nominal Gain	10 dBi		

Mechanical & Product Information

Product Number	RWHA15-10, P-Grade	Product Type	Standard Gain Horn Antenna
Waveguide	WR15(BJ620), FUGP620 Circular Flange	Waveguide Body	Copper, gold plated
Dimensions	23(L)*10(W)*8(H)mm	Net Weight	-