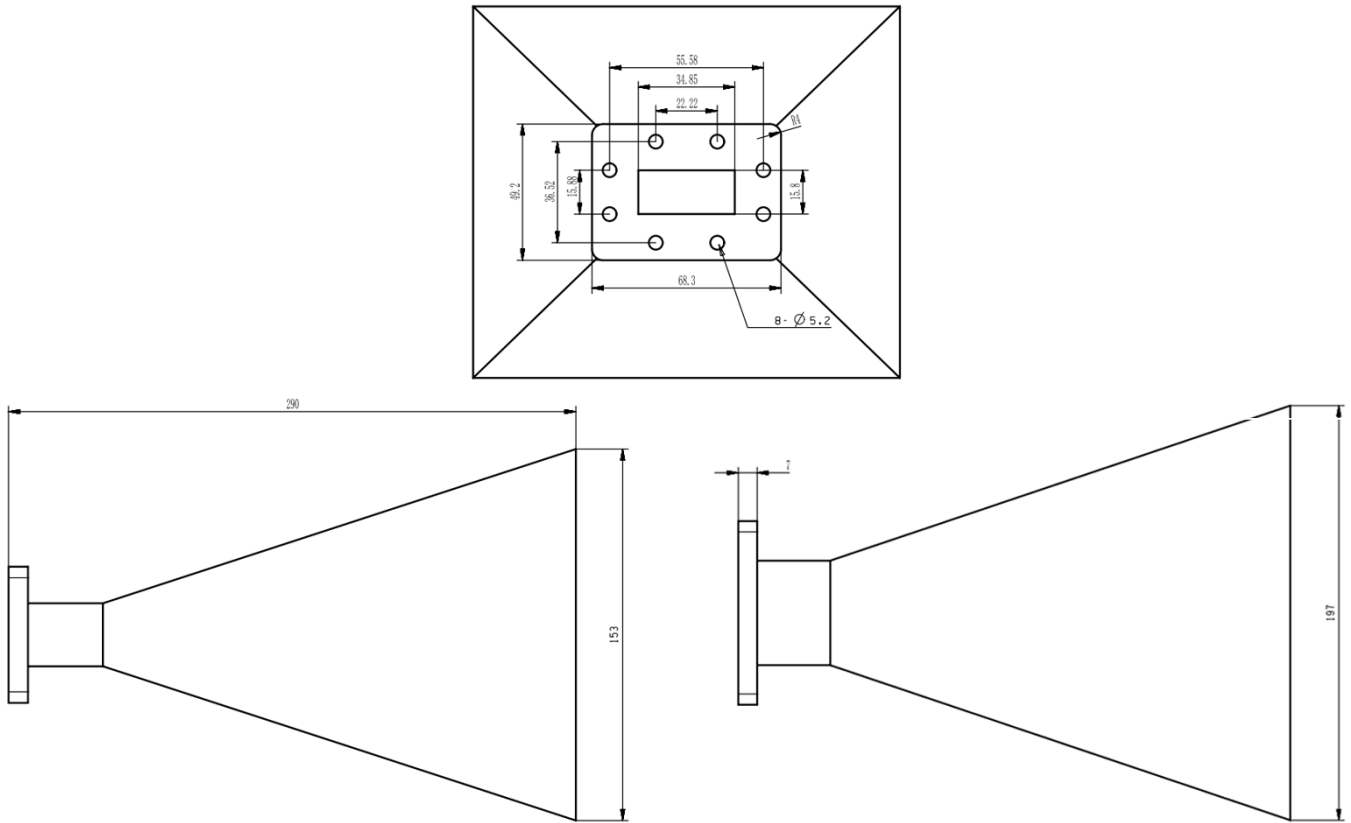


WR137 Standard Gain Horn Antenna, RWHA137-20 5.38-8.17GHz, 20dB Nominal Gain, FDP70(UDR) Flange

Dimensions(mm) Tolerance $\pm 1\%$



Electrical & Environmental

Frequency Range	5.38-8.17GHz	Impedance	50 Ohm
VSWR	1.2 Max		
Nominal Gain	20 dBi		

Mechanical & Product Information

Product Number	RWHA137-20, P-Grade	Product Type	Standard Gain Horn Antenna
Waveguide	WR137(BJ70), FDP70(UDR) Flange	Waveguide Body	Aluminum, Light blue painted
Dimensions	290(L)*197(W)*153(H)mm	Net Weight	-