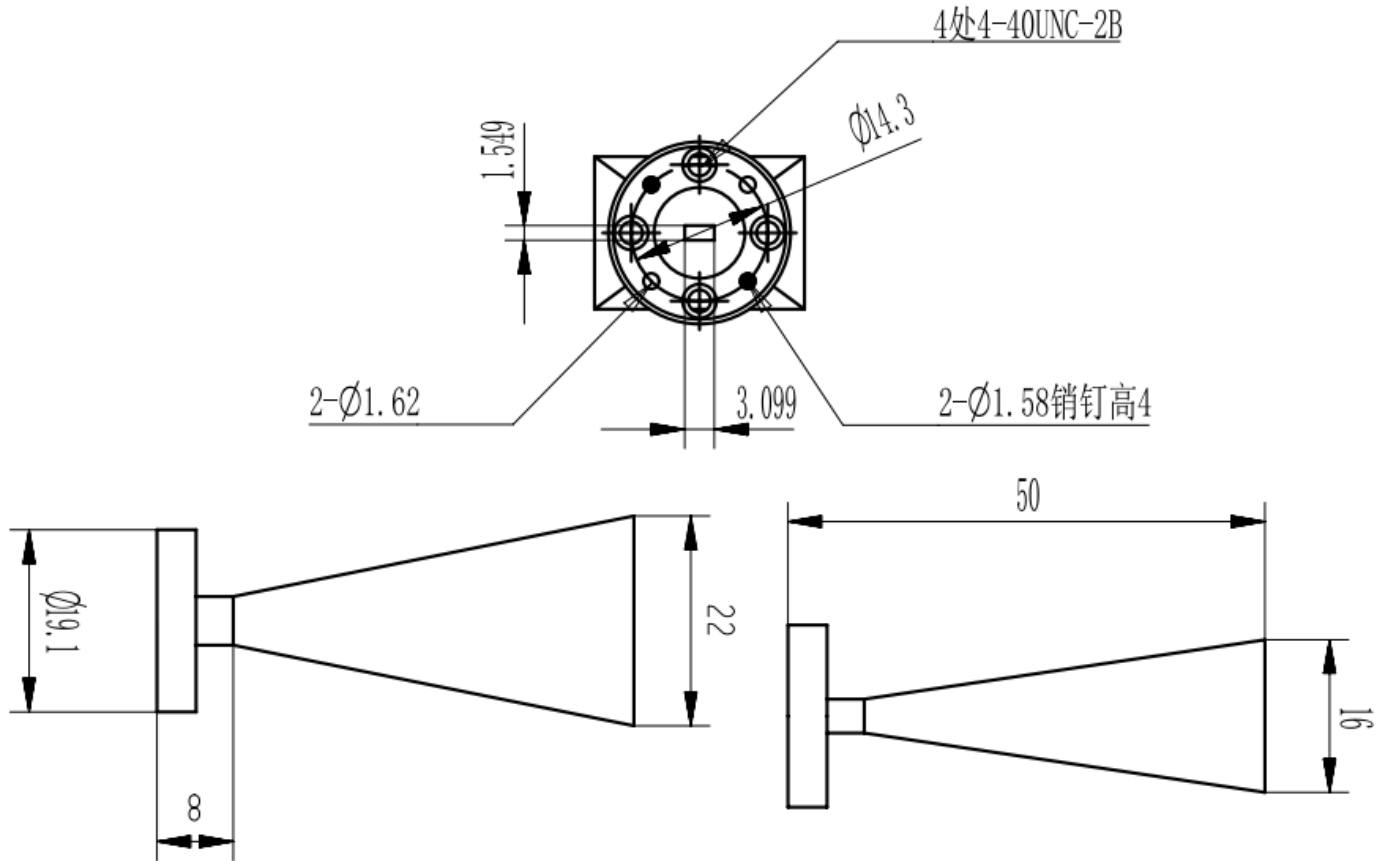


**WR12 Standard Gain Horn Antenna, RWHA12-20**  
**60.5-91.9GHz, 20dB Nominal Gain, FUGP740 Circular Flange**

**Dimensions(mm) Tolerance±1%**



**Electrical & Environmental**

Frequency Range	60.5-91.9GHz	Impedance	50 Ohm
VSWR	1.2 Max		
Nominal Gain	20 dBi		

**Mechanical & Product Information**

Product Number	RWHA12-20, P-Grade	Product Type	Standard Gain Horn Antenna
Waveguide	WR12(BJ740), FUGP740 Circular Flange	Waveguide Body	Copper, gold plated
Dimensions	50(L)*22(W)*16(H)mm	Net Weight	-