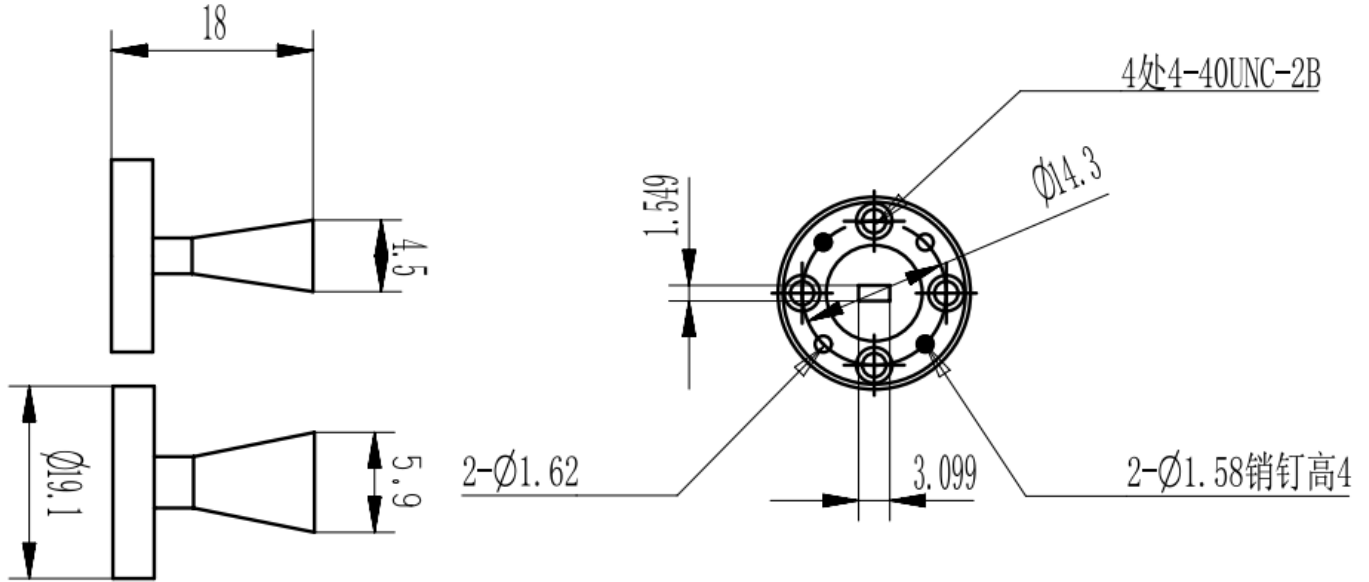


WR12 Standard Gain Horn Antenna, RWHA12-10
60.5-91.9GHz, 10dB Nominal Gain, FUGP740 Circular Flange

Dimensions(mm) Tolerance±1%



Electrical & Environmental

Frequency Range	60.5-91.9GHz	Impedance	50 Ohm
VSWR	1.25 Max		
Nominal Gain	10 dBi		

Mechanical & Product Information

Product Number	RWHA12-10, P-Grade	Product Type	Standard Gain Horn Antenna
Waveguide	WR12(BJ740), FUGP740 Circular Flange	Waveguide Body	Copper, gold plated
Dimensions	18(L)*5.9(W)*4.5(H)mm	Net Weight	-