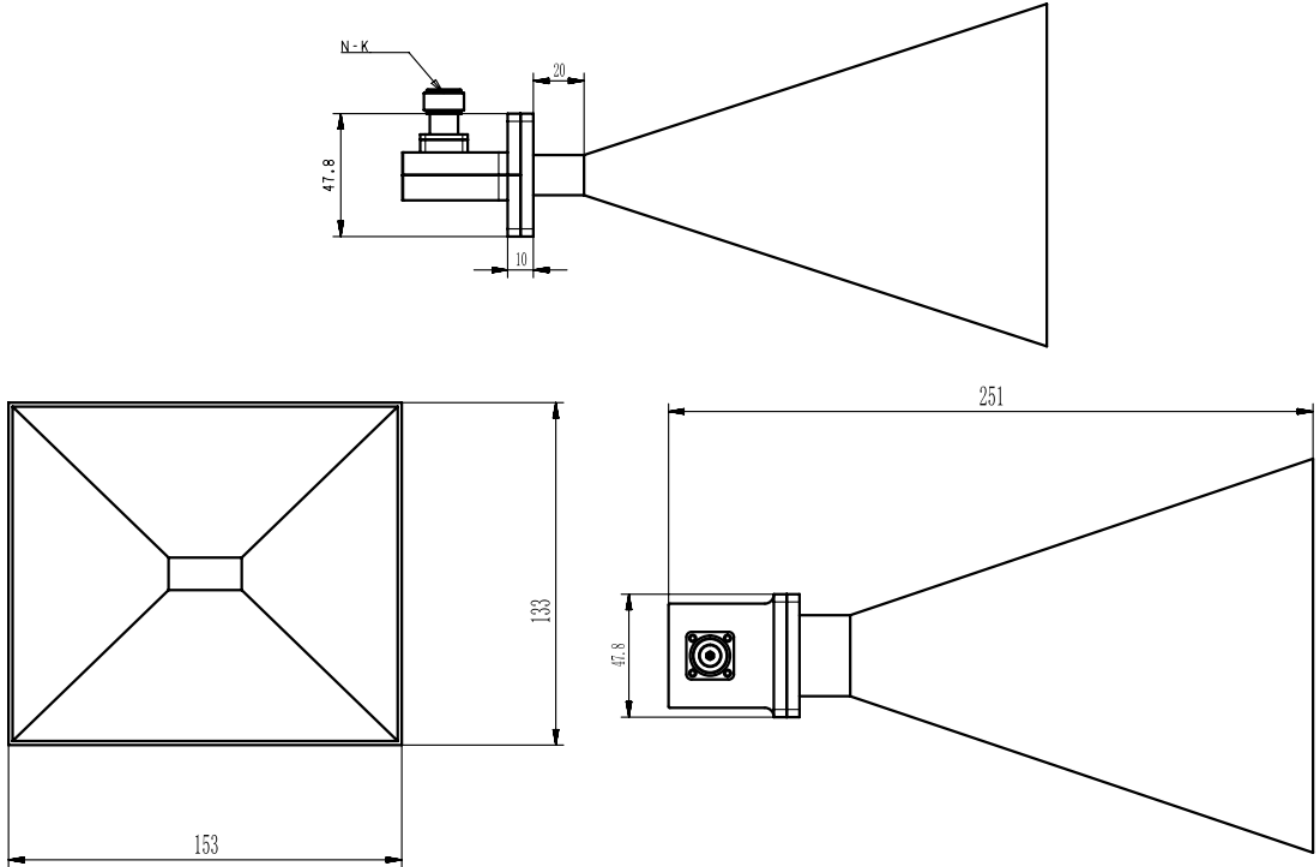


WR112 Standard Gain Horn Antenna, N Female, **RWHA112N-20**
6.57-9.99GHz, 20dB Nominal Gain, FBP84(UBR) Flange, Right Angle

Dimensions(mm) Tolerance $\pm 1\%$



Electrical & Environmental

Frequency Range	6.57-9.99GHz	Impedance	50 Ohm
VSWR	1.3 Max		
Nominal Gain	20 dBi		

Mechanical & Product Information

Product Number	RWHA112N-20, P-Grade	Product Type	Standard Gain Horn Antenna
Connector	N Female, Right Angle	Connector Body	Passivated stainless steel
Waveguide	WR112(BJ84), FBP84(UBR) Flange	Waveguide Body	Aluminum, Light blue painted
Center Contact	Aluminum, electric conductive oxidation		
Dimensions	251(L)*153(W)*133(H)mm	Net Weight	-