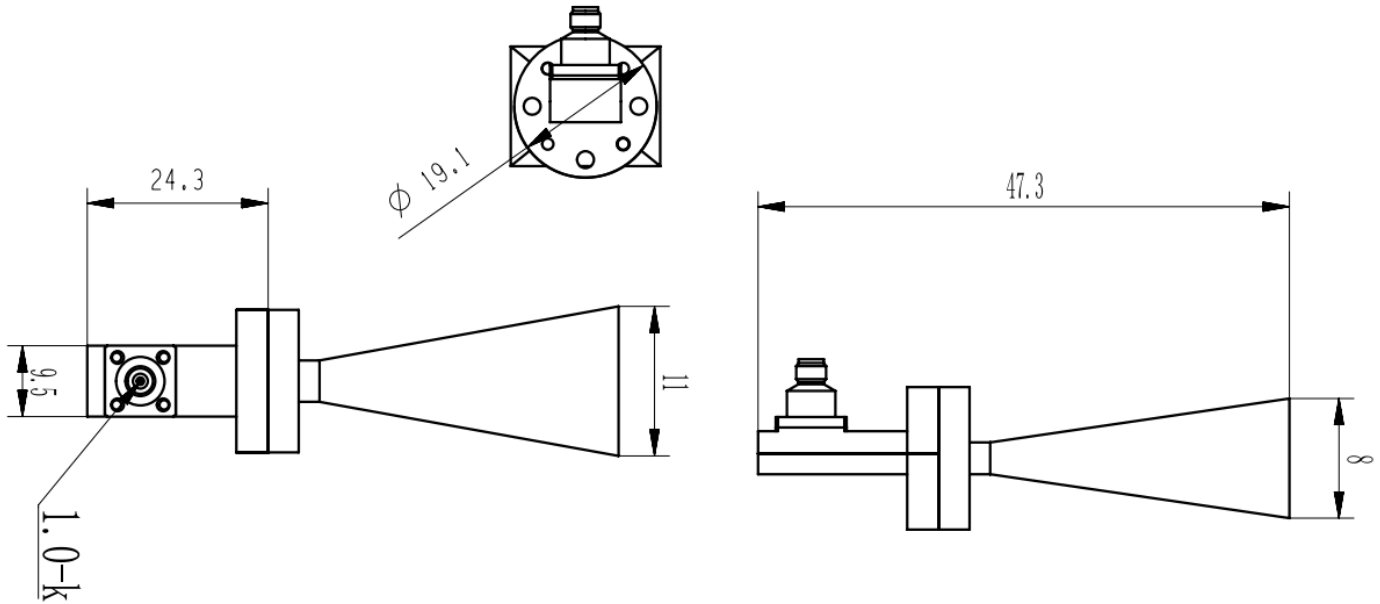


WR10 Standard Gain Horn Antenna, 1.0mm Female, RWHA10W-15
73.8-112GHz, 15dB Nominal Gain, FUGP900 Circular Flange, Right Angle

Dimensions(mm) Tolerance±1%



Electrical & Environmental

Frequency Range	73.8-112GHz	Impedance	50 Ohm
VSWR	1.5 Max		
Nominal Gain	15 dBi		

Mechanical & Product Information

Product Number	RWHA10W-15, P-Grade	Product Type	Standard Gain Horn Antenna
Connector	1.0mm Female, Right Angle	Connector Body	Passivated stainless steel
Waveguide	WR10(BJ900), FUGP900 Circular Flange	Waveguide Body	Copper, gold plated
Center Contact	Copper, gold plated		
Dimensions	47.3(L)*11(W)*8(H)mm	Net Weight	-