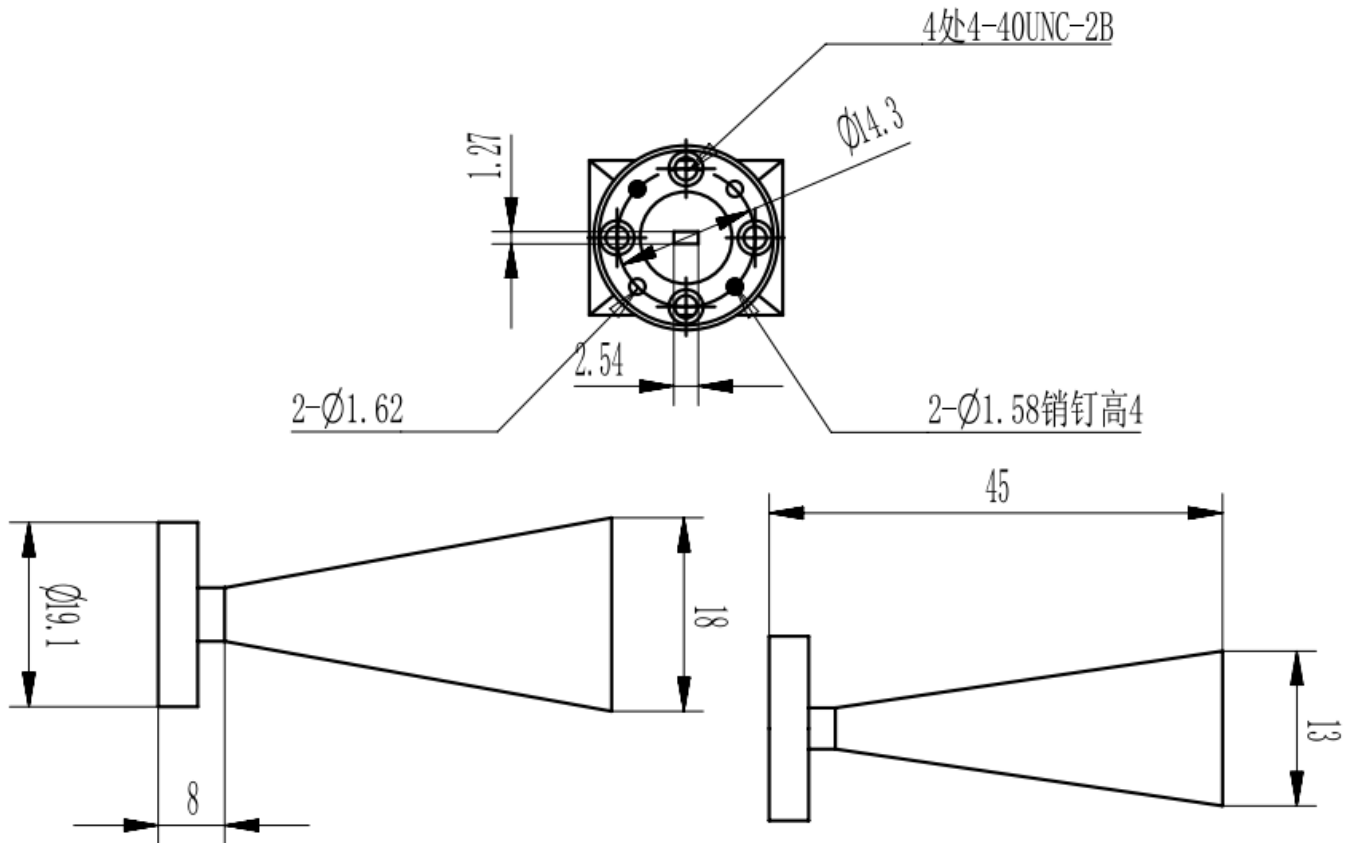


WR10 Standard Gain Horn Antenna, RWHA10-20
73.8-112GHz, 20dB Nominal Gain, FUGP900 Circular Flange

Dimensions(mm) Tolerance±1%



Electrical & Environmental

Frequency Range	73.8-112GHz	Impedance	50 Ohm
VSWR	1.2 Max		
Nominal Gain	20 dBi		

Mechanical & Product Information

Product Number	RWHA10-20, P-Grade	Product Type	Standard Gain Horn Antenna
Waveguide	WR10(BJ900), FUGP900 Circular Flange	Waveguide Body	Copper, gold plated
Dimensions	45(L)*18(W)*13(H)mm	Net Weight	-