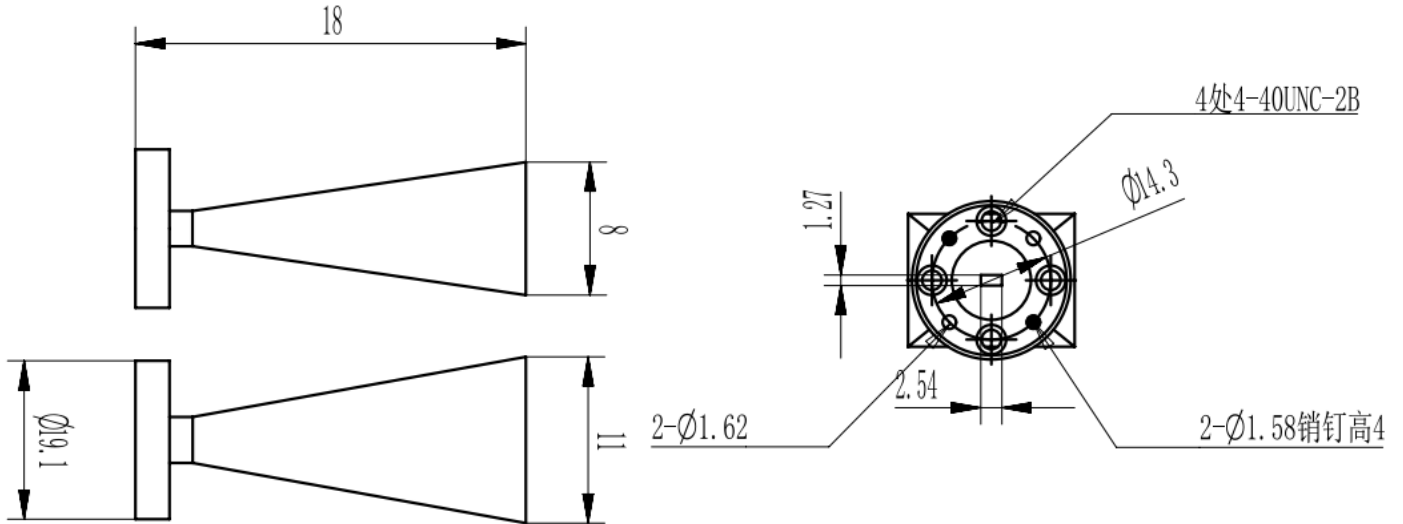


**WR10 Standard Gain Horn Antenna, RWHA10-15**  
**73.8-112GHz, 15dB Nominal Gain, FUGP900 Circular Flange**

**Dimensions(mm) Tolerance±1%**



**Electrical & Environmental**

Frequency Range	73.8-112GHz	Impedance	50 Ohm
VSWR	1.2 Max		
Nominal Gain	15 dBi		

**Mechanical & Product Information**

Product Number	RWHA10-15, P-Grade	Product Type	Standard Gain Horn Antenna
Waveguide	WR10(BJ900), FUGP900 Circular Flange	Waveguide Body	Copper, gold plated
Dimensions	18(L)*11(W)*8(H)mm	Net Weight	-