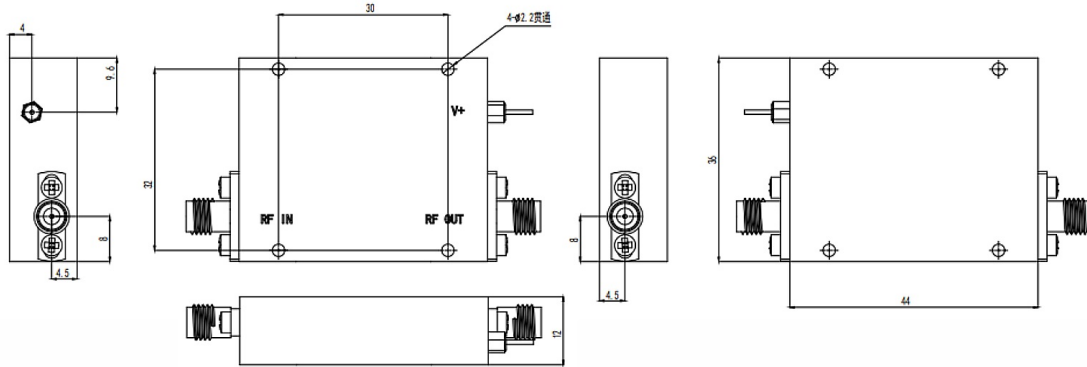


2.92mm(K,SK) Low Noise Amplifier, RLNA4436K Series

Select the frequency according to the specification table.

Dimensions(mm) Tolerance $\pm 1\%$



Mechanical & Product Information

Product Number	RLNA4436K Series, P-Grade, UWB	Product Type	同轴低噪放, 50 Ohms
Connector	2.92mm(K,SK)母 - 2.92mm(K,SK)母	Connector Body	Passivated stainless steel
Center Contact	Gold plated beryllium copper		
Housing	Gold plated brass	Operating Temp.	$^{\circ}\text{C}$
Dimensions	44 \times 36 \times 12mm	Net Weight	-
Power supply	PIN, -		

Product Selection

RFTOP P/N	Freq. Range	Gain Typ.	Flatness	P1dB	Psat	NF	IN VSWR	OUT VSWR	Power
RLNA4436K-6F34-32 DC 12V(+13V Max), 0.28A	6-34GHz	32dB (Min 30dB)	± 2.5 dB Typ.	≤ 3.5 dB	14dBm	15dBm	≤ 1.6	≤ 1.6	5dBm
RLNA4436K-18F40-33 DC 8V, 0.25A	18-40GHz	33dB	± 3.0 dB Typ.	≤ 4 dB (Typ. 2.5dB)	20dBm	21dBm	≤ 2.5 (Typ. 2.0)	≤ 2.5 (Typ. 2.0)	10dBm

Customized: including frequency range, P1dB, Psat, input/return power and other electrical performance indicators.