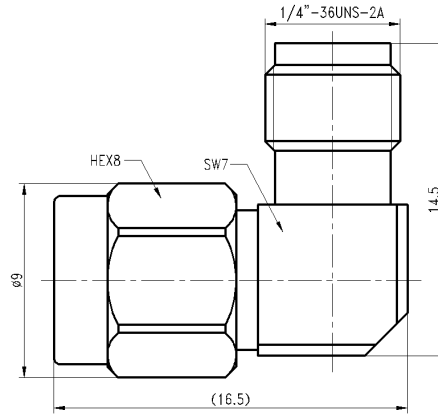




SMA Male to RP-SMA Female, Adapter, RPA06S03W-GBA-R DC-6GHz, Right Angle

Dimensions(mm) Tolerance±1%



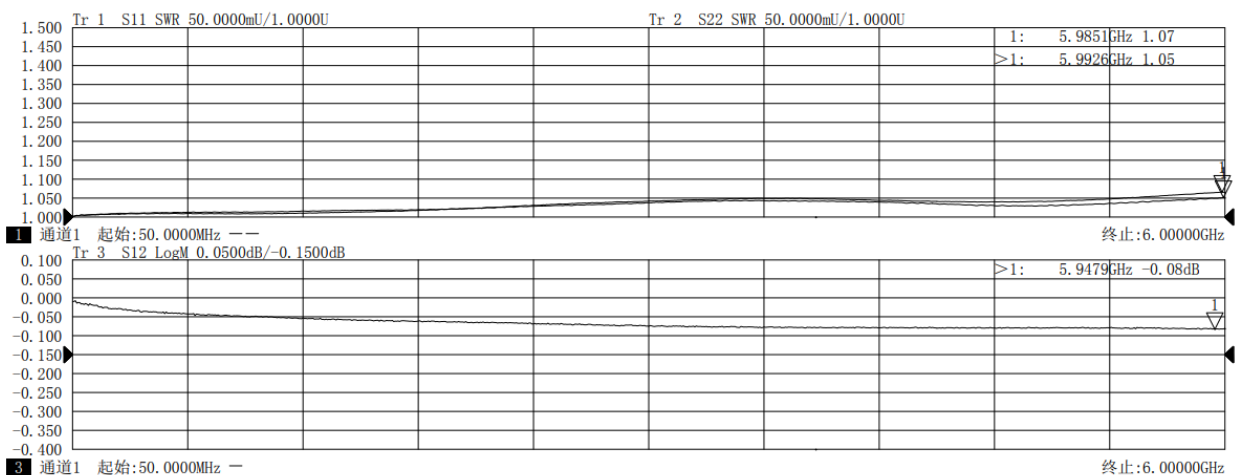
Electrical & Environmental

Frequency Range	DC-6GHz	Impedance	50 ohm
VSWR	1.15 max	Operating Temp	-40°C to +155°C
Insertion Loss	0.20dB max		

Mechanical & Product Information

Product Number	RPA06S03W-GBA-R, JP-Grade, Reverse Polarity	Connector	SMA Male to RP-SMA Female
Connector Body	Gold plated brass	Shape/Mounting	Right Angle, None
Center Contact	BeCu/Brass,Gold plating	Insulator	PTFE

Typical Test Data



扫描类型 起始频率 终止频率 扫描点数 中频带宽(Hz) 扫描时间(s) 端口1,2功率(dBm)
通道1 线性扫描 0.050000000GHz 6.000000000GHz 801 1000 0.745065 -5.0,-5.0

