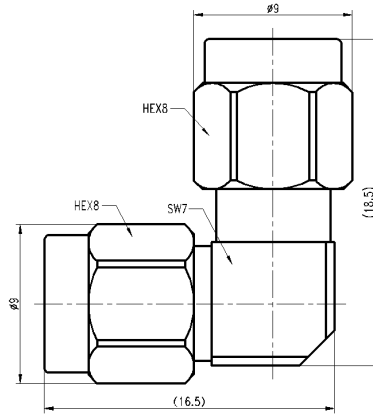




RP-SMA Male to RP-SMA Male, Adapter, RPA06S02W-GBA-LR DC-6GHz, Right Angle

Dimensions(mm) Tolerance $\pm 1\%$



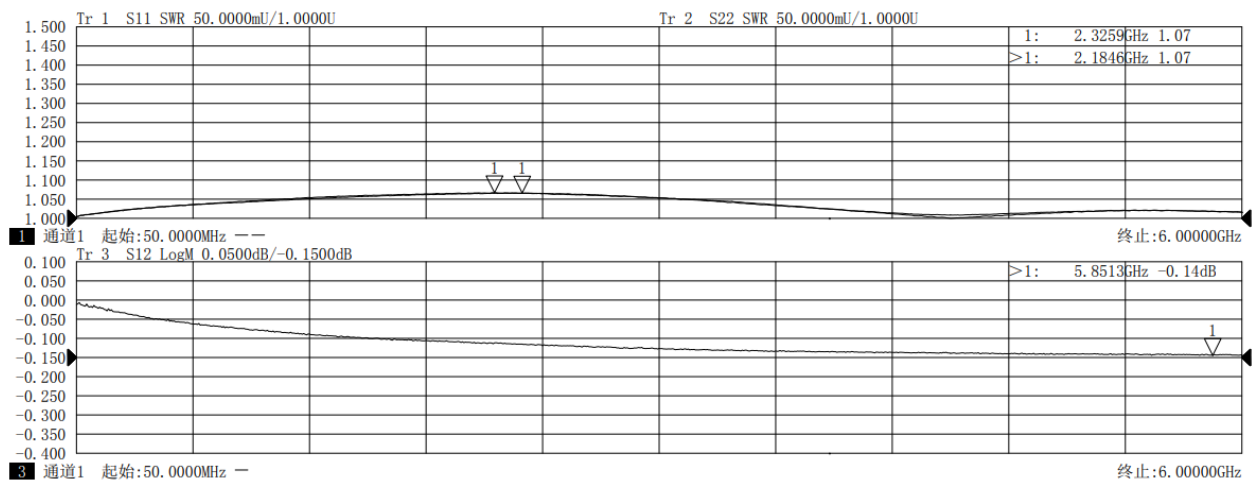
Electrical & Environmental

Frequency Range	DC-6GHz	Impedance	50 ohm
VSWR	1.15 max	Operating Temp	-40°C to +155°C
Insertion Loss	0.20dB max		

Mechanical & Product Information

Product Number	RPA06S02W-GBA-LR, JP-Grade, Reverse Polarity	Connector	RP-SMA Male to RP-SMA Male
Connector Body	Gold plated brass	Shape/Mounting	Right Angle, None
Center Contact	BeCu/Brass,Gold plating	Insulator	PTFE

Typical Test Data



扫描类型 起始频率 终止频率 扫描点数 中频带宽 (Hz) 扫描时间 (s) 端口1, 2功率 (dBm)
通道1 线性扫描 0.050000000GHz 6.000000000GHz 801 1000 0.745065 -5.0, -5.0

