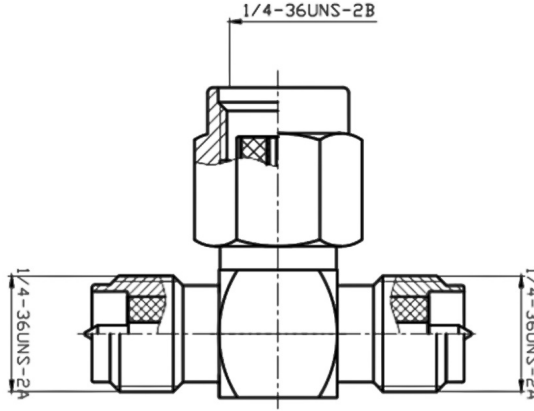




RP-SMA Female to RP-SMA Male, Adapter, **RPA06S02T-GBA-LR**
DC-6GHz, Tee

Dimensions(mm) Tolerance $\pm 1\%$



Electrical & Environmental

Frequency Range	DC-6GHz	Impedance	50 ohm
VSWR	1.3 max	Operating Temp	-45°C to +125°C

Mechanical & Product Information

Product Number	RPA06S02T-GBA-LR, E-Grade	Connector	RP-SMA Female to RP-SMA Male
Connector Body	Gold plated brass	Shape/Mounting	Tee, None
Center Contact	Gold plated brass	Insulator	PTFE