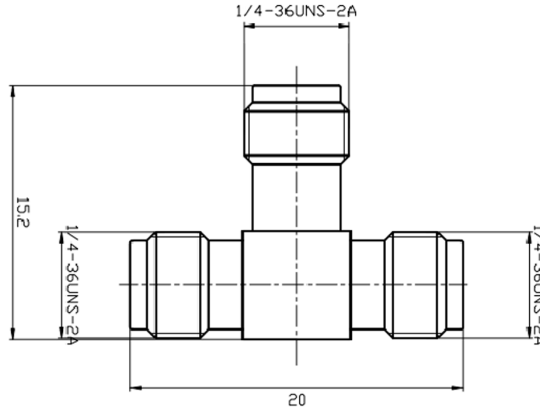




RP-SMA Female to RP-SMA Female, Adapter, RPA06S01T-GBA-LR DC-6GHz, Tee

Dimensions(mm) Tolerance $\pm 1\%$



Electrical & Environmental

Frequency Range	DC-6GHz	Impedance	50 ohm
VSWR	1.3 max	Operating Temp	-45°C to +125°C

Mechanical & Product Information

Product Number	RPA06S01T-GBA-LR, E-Grade	Connector	RP-SMA Female to RP-SMA Female
Connector Body	Gold plated brass	Shape/Mounting	Tee, None
Center Contact	Gold plated brass	Insulator	PTFE